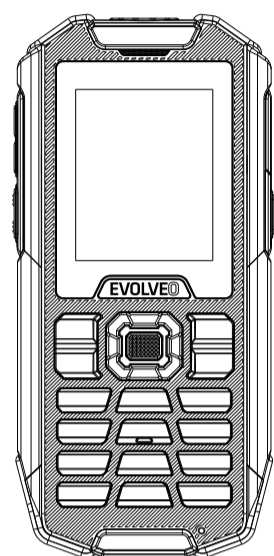
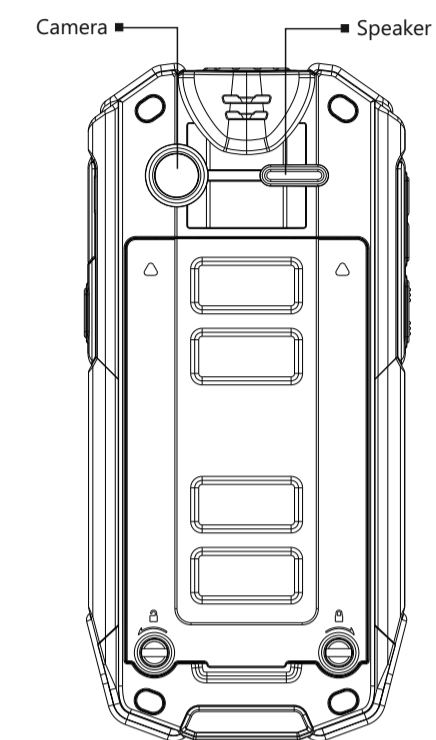
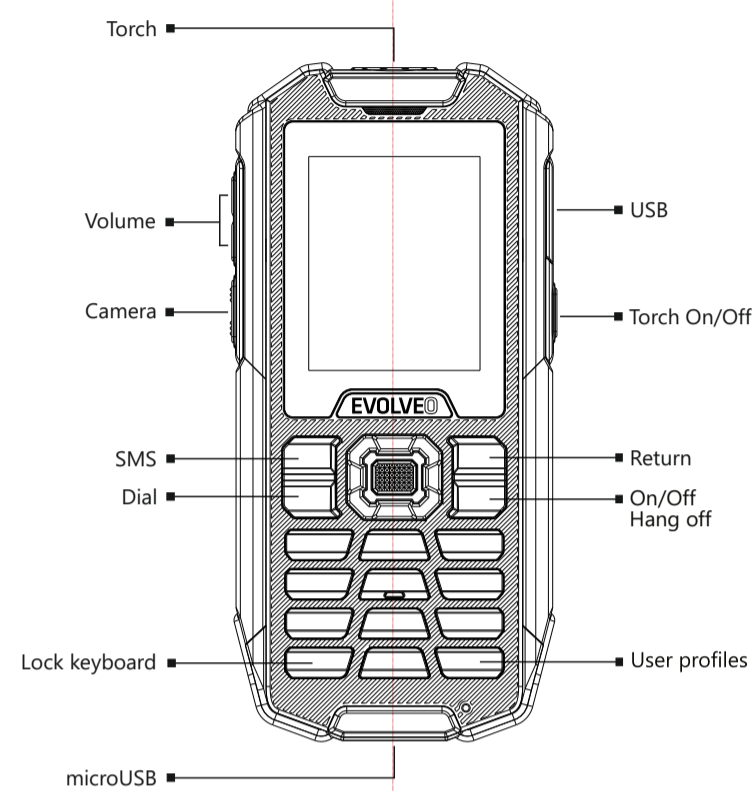
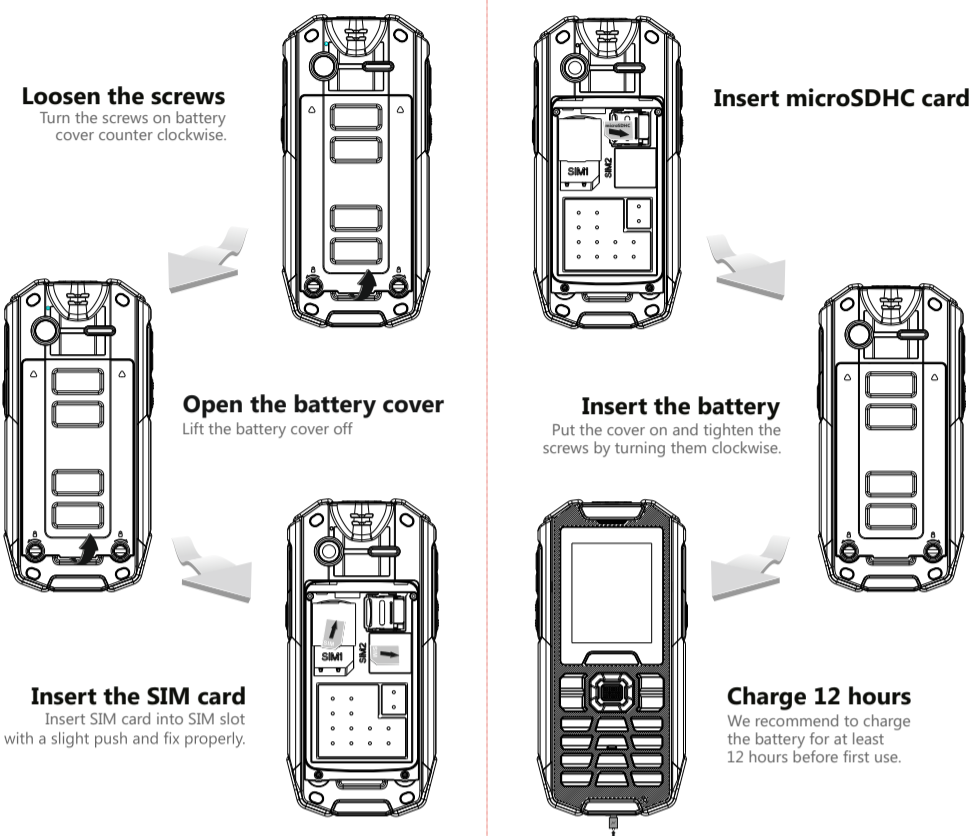


ENG

QUICK START GUIDE



EVOLVEO
StrongPhone X3



Dear customer, thank you that you have chosen EVOLVEO mobile phone.
Here are some recommendations related to its safe use:

- EVOLVEO StrongPhone X3 is designed to be a much more durable than a regular phone, however, it is not completely indestructible.
- EVOLVEO StrongPhone X3 complies with IP68 certification. However, even this compliance doesn't assure it's complete waterproofness.
- It is crucial to keep the microUSB port clean and USB port sealed, as well as to keep all screws on the rear side firmly tightened, in order to maintain the water and dust resistance of the phone.
- Given many different possible modes of operation (e.g. sealed USB port) we are not responsible for liquid damage.
- The phone screen is made out of a hardened glass, which can break upon hitting hard surface, when exposed to a strong impact, or when the screen is being bent or otherwise deformed. In case the screen is damaged, do not attempt to repair it. Glass broken as a result of a misuse or abuse is not a subject to warranty.
- Clean the cellphone immediately if it gets in contact with products which can cause stains, such as ink, color, makeup, food, oil, etc. Disconnect all cables, turn the phone off and use a soft, damp cloth. Do not use window cleaners, household cleaning products, aerosol sprays canisters, solvents, alcohol, amoniac or abrasives.
- This phone is a complex electronic device, therefore it should be protected against impact and electromagnetic field effects, has limited resistance to metal dust or other metal particles.
- In case your phone falls in water, do not press keypad buttons, immediately brush it with a dry cloth, remove the battery and let it dry before turning it back on again.

- Do not attempt to dry using external heat source, such as microwave or a hairdryer.
- EVOLVEO StrongPhone X3 is intended for use in operating temperatures from 0° to 40°C and can be stored in a temperature range from -20° to 45°C. Lower or higher temperatures can affect the phone operation or battery life.
- Do not use outside during storm, we hold no responsibility for eventual device damage or injury caused by such operation.
- Do not puncture the speaker, do not insert any objects in ports.
- Do not paint the phone with color as this can affect the phone functionality and waterproofness.
- EVOLVEO StrongPhone X3 was tested in compliance to EU radio waves, WiFi, Bluetooth and SAR standards. In case you want to limit the effects of high-frequency energy, limit the duration of your direct exposition to the electromagnetic emissions, e.g. by using a Bluetooth hands-free set or keep a greater distance between your body and the cellphone.
- Never attempt to repair the phone by yourself, any disassembly can lead to a damage of the device, which is not covered by the warranty.
- Manufacturer, resellers and vendors hold no responsibility for any data loss and direct or indirect damage, related to the use of this phone, no matter how exactly it is caused.

Troubleshooting

The phone can't be switched on

- The key for switching on the phone wasn't pressed long enough.
- Press the key for „Power On“ for 3 seconds at least (or longer).
- The battery is low. Recharge the battery.
- The SIM card has failed. Check or replace the SIM card.

Charging of the phone failed

- The contact is defective. Check the contacts, change the cable or the charger.
- The charging voltage is too low. At first, charge about half an hour, then disconnect the charger and again reconnect and charge the battery completely.
- The wrong charger. Use proper charger.

The phone call can't be made

- The SIM card failure. Check or change the SIM card.
- The dialling mistake. Dial the number again.
- The credit is used up. Contact the operator.

The partial call failure.

- You have the wrong number. Check the phone number.
- The wrong setting. Check the call blocking.

The wrong PIN

- You have entered the wrong PIN code three times. Contact the operator.

The SMS/MMS message can't be sent

- The service for your SIM card isn't activated or the SMS/MMS center number isn't set up. Contact the operator and get the SMS/MMS center number.

The automatic locking failure

- Entering the wrong code (forgetting the code). Contact the EVOLVEO service center.

Mobile phone keeps switching off itself

- The battery capacity is low. Recharge the battery.
- The failure in settings. Check if the function for automatic switching off isn't active.
- The coincidental failure. Switch the phone on again.

The phone isn't ringing at the incoming call

- The volume is lowered to the minimum. Set the volume again.

The call is difficult to hear

- This phone is waterproof, so the microphone is protected by a waterproof membrane that prevents water penetration and slightly attenuates the sound from the microphone.

Phone lock

This feature protects your phone against unauthorized use by others. **Factory reset code is „1122“.**

The guarantee does not apply to:

- installation a different firmware than the original EVOLVEO factory firmware or ROOT of Android OS
- electromechanical or mechanical damage to the phone caused by improper use by the user (such as cracked screen or touch screen, cracked the front or back cover of the phone, damaged microUSB connector, slot for a SIM cards, microSD card slot, headphone jack, etc.).
- damage to the speaker and headphone caused by metal particles
- damage caused by natural causes such as fire, water, static electricity, high or low temperature etc.
- defects caused by normal usage of phone
- unauthorized repair damage
- phone firmware if that requires updating because of changes in the parameters of mobile networks
- defects of mobile phone operator network
- battery, if after 6 months of usage has not adhere to its original capacity (warranty for the battery capacity is six months)
- willful damage

Customer service

Repairs and service may only be performed by an authorized service location for phones EVOLVEO (more informations: www.evolveo.com), otherwise you can damage your mobile phone and lose your warranty.



Disposal

The symbol of crossed out container on the product, in the literature or on the wrapping means that in the European Union all the electric and electronic products, batteries and accumulators must be placed into the separate salvage after finishing their lifetime. Do not throw these products into the unsorted municipal waste.



DECLARATION OF CONFORMITY

Hereby, the company ABACUS Electric s.r.o. declares that GSM mobile phone EVOLVEO StrongPhone X3 (EAN: 8594161337263) is in compliance with the requirements of the norms and regulations, relevant for the given type of device.

The complete text of Declaration of Conformity can be found at [ftp://ftp.evolveo.com/ce](http://ftp.evolveo.com/ce)

Copyright © 2016 ABACUS Electric s.r.o.

All rights reserved.
Design and specification can be changed without prior notice.

www.evolveo.com