

# EVOLVEO

## AudioConverter XS

EN

www.evolveo.com

### Contents

1. Product Specifications	2
2. Package Contents	4
3. Product Overview & Control Functions	5
4. LED indications	7
5. Use as a transmitter (TX mode) Installation diagram	9
6. Use as a Receiver (RX mode) Installation diagram	11
7. Bypass mode (Non-Bluetooth) Installation diagram	13
8. Pair and Connect two Devices Simultaneously	15
9. Restore Factory Default Settings	16
10. Troubleshooting	16
11. Warnings	18
12. FCC Notice	18

- 1 -

### 1. Product Specifications

EVOLVEO AudioConverter XS is a wireless long range audio transmitter & receiver incorporating the latest "aptX low-latency" technology for CD-like quality sound with virtually no delay. Multifunctional, supporting optical and bypass. Providing the best solution to enable your TV or home audio system to wirelessly stream hi-fi audio directly to any wireless headphones or speakers.

- BT version: 5.0
- Supports profiles: A2DP, AVRCP
- Audio codec: SBC, aptX, aptX-L, aptX-HD
- Operational range: indoors: up to 50-70ft (without obstacles)  
outdoors: up to 197ft (without obstacles)
- Input voltage/ current: Micro USB DC5.0V ==500mA
- Operating temperature:-10°C ~ 45°C
- Storage temperature:-20°C ~ 60°C
- Support sampling rate in optical mode: ≤48KHz
- Product size: 126×94×29mm
- Product weight: 124g

- 2 -

### aptX® Low Latency

To take advantage of the better performance of the aptX Low Latency Codec, the other side device must support the same codec. If the other side device only supports the normal aptX codec, or the SBC one, those codecs will be used instead.

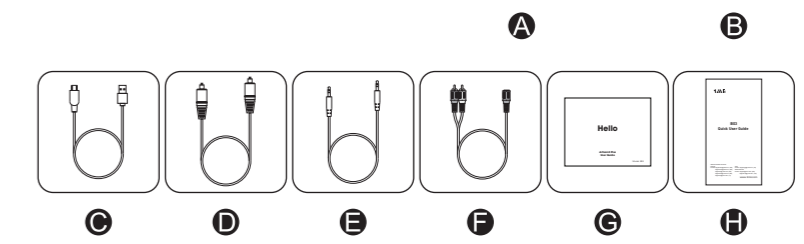
#### Audio delay when paired with different headphones/receiver-

Headphones/receiver support	The audio delay will be
aptX Low Latency codec	~ 40ms
aptX codec	~ 70ms
SBC codec (most standard Bluetooth audio)	~ 220ms

- 3 -

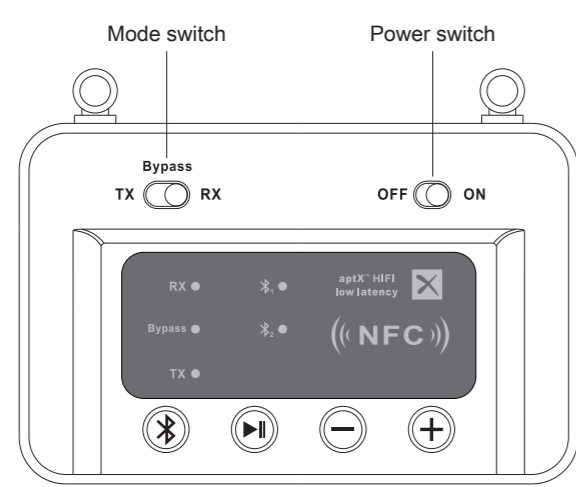
### 2. Package Contents:

- A. EVOLVEO AudioConverter XS
- B. Power adapter(optional)
- C. 5V power cable
- D. Optical cable
- E. 3.5mm audio cable
- F. 3.5mm female to RCA male cable
- G. User manual
- H. Quick user guide



- 4 -

### 3. Product Overview & Control Functions

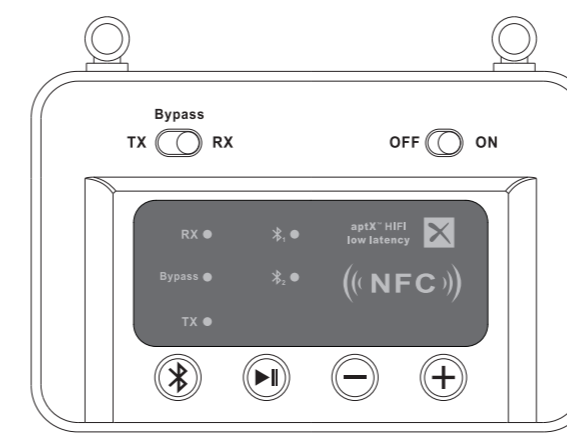


- 5 -

Button	Function	Operation
Power switch	Power on	Slide to "ON" to turn on the device.
	Power off	Slide to "OFF" to turn off the device.
Mode switch	Transmitter mode	Slide to TX to enter transmitting mode.
	Receiver mode	Slide to RX to enter receiving mode.
Mode switch	Bypass mode	Slide to "Bypass" to enter Bypass mode.
	Enter pairing mode	Hold this button for about 3 seconds.
Reconnect	Reconnect	Short press once.
	Play / Pause	Short press this button once to play/pause music, (TX mode doesn't support).
Volume down/ Previous song	Volume down/ Previous song	In AUX audio mode, short press once (TX mode doesn't support).
	Volume up/ Next song	In AUX audio mode, short press once. (TX mode doesn't support).

- 6 -

### 4. LED indications

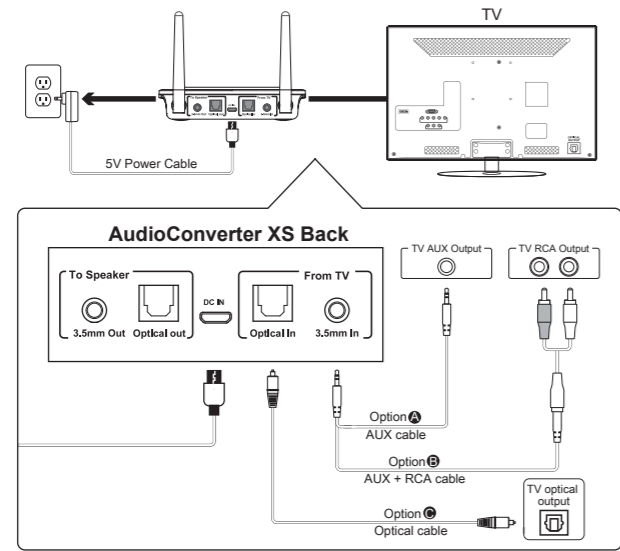


- 7 -

Indicator	Status
RX	In receiving mode
	Flashes Blue and Red alternately to indicate device is in pairing mode
TX	In transmitting mode
	Flashes Blue and Red alternately to indicate device is in pairing mode
Bypass	Bypass mode
	Device 1 successfully paired
	Device 2 successfully paired

- 8 -

### 5. Use as a transmitter (TX mode) Installation diagram

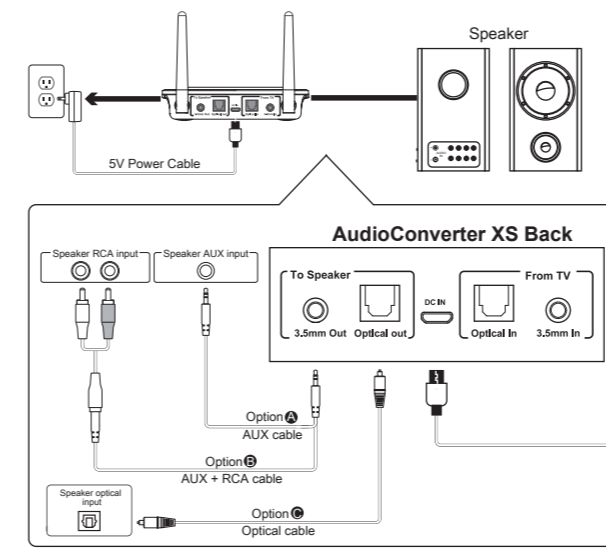


- 9 -

- 1) Connect audio source (TV, DVD etc.) to AudioConverter XS "From TV" port with the audio cables provided (optical or AUX/RCA).
- 2) Connect AudioConverter XS to a power source (TV, PC USB socket or power adapter) with a USB cable.
- 3) Slide Power switch to the "ON" position.
- 4) Slide Mode switch to the "TX" position.
- 5) Pairing - Pair AudioConverter XS with your Bluetooth-enabled headset/speakers.
  - Set AudioConverter XS into pairing mode, TX LED flash Blue / Red alternately fast.
  - First-time use: AudioConverter XS will auto enter pairing mode (with clear memory).
  - Afterward: press (⏸) button for 3 seconds.
- Set your headset/speakers to pairing mode refer to its user manual.
- Wait until connected (For quick pairing, better keep them within 1 meter when pairing)

- 10 -

### 6. Use as a Receiver (RX mode) Installation diagram

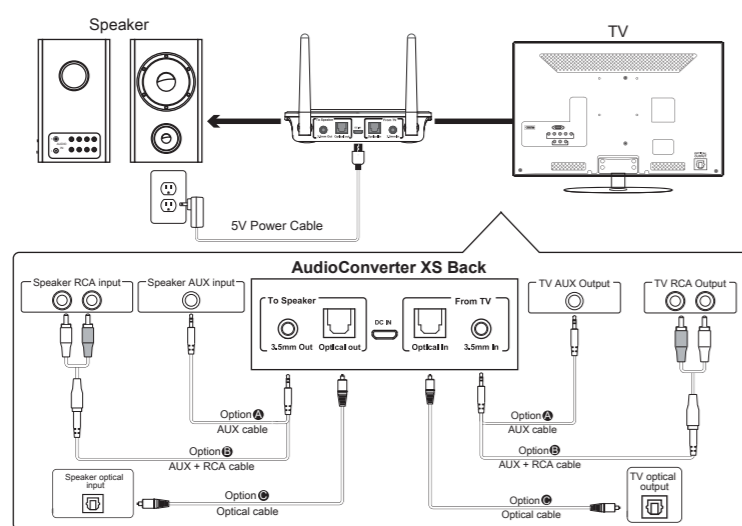


- 11 -

- 1) Connect your speaker to AudioConverter XS "To Speaker" port with the audio cable provided (optical or AUX/RCA).
- 2) Connect AudioConverter XS to a power source with USB cable and adapter.
- 3) Slide Power switch to the "ON" position.
- 4) Slide Mode switch to the "RX" position.
- 5) Pairing - Pair AudioConverter XS with your Bluetooth-enabled phone/PC/tablet.
  - Set AudioConverter XS into pairing mode, RX LED flash Blue / Red alternately fast.
  - First-time use: AudioConverter XS will auto enter pairing mode (with clear memory).
  - Afterward: press (⏸) button for 3 seconds to enter.
- Active Bluetooth on your phone or another device to find "EVO-XS" to connect.
- Wait and connected (For quick pairing, better keep them within 1 meter when pairing).
- NFC enabled phones can connect this device easily with Near Field Communication (NFC) function.

- 12 -

### 7. Bypass mode (Non-Bluetooth) Installation diagram



- 13 -

Bypassing means using AudioConverter XS as a non-Bluetooth device which connects the TV and speaker via wires directly. This design enables you to switch between wired (Bypass mode) and wireless (Bluetooth mode) with just one switch without the need to disconnect any cables.

- 1) Connect audio source (TV, DVD etc.) to AudioConverter XS "From TV" port with the audio cables provided (optical or AUX/RCA).
- 2) Connect your speaker to AudioConverter XS "To Speaker" port with your own audio cable (optical or AUX/RCA).
- 3) Connect AudioConverter XS to a power source with USB cable and adapter.
- 4) Slide Power switch to the "ON" position.
- 5) Slide the Mode switch to the "Bypass" position.
- 6) Ready for use.

- 14 -

### 8. Pair and Connect two Devices Simultaneously

- In TX mode**
- 1) Pair with the first device by following the previous instructions in the "Use as a Transmitter (TX mode)" section.
  - 2) Pair with the second device
    - Set second headphones/speaker to pairing mode.
    - Set device to pairing mode again, press t (⏸) button for 3s until the TX LED flashes Blue and Red.
    - Wait until connected.
- Notes:** For improved compatibility and sound quality, we suggest that you use Bluetooth devices with CSR chipset.
- In RX mode**
- 1) Pair with the first device by following the previous instructions in the "Use as a Receiver (RX mode)" section.
  - 2) Pair with the second device
    - Set device to pairing mode again, press t (⏸) button for 3s until the RX LED flashes Blue and Red.
    - Active Bluetooth on the second device to find "EVO-XS" to connect.
    - Wait until connected.
- Note:** Only one device can play music at any time. You must stop the music on one device to play on the other.

- 15 -

### 9. Restore Factory Default Settings

You may need to reset device if it is not working as expected. When device is reset to factory default settings, all the paired device information will be cleared.

- Press and hold the (⏸) buttons 5s until the RX/TX LED flashes Blue and Red.

### 10. Troubleshooting

- 1) I am having trouble pairing and connecting to my Bluetooth device. Please check the following:
    1. Your wireless device supports the wireless profiles listed in the specifications.
    2. B03 and your device are next to each other or within 3 feet / 1 meter.
    3. Make sure both AudioConverter XS and the wireless device are in pairing mode.
  - 2) After connecting and pairing with my wireless device, I cannot hear any music from my sound system.
    1. Make sure to remove the protective head on optical cable.
    2. In Optical mode, AudioConverter XS support device with sampling rate under 48kHz.
- Note:** Need to make sure TV audio format is set to PCM(Fig17-1) and TV sound out as "External Speakers"(Fig 17-2)

- 16 -

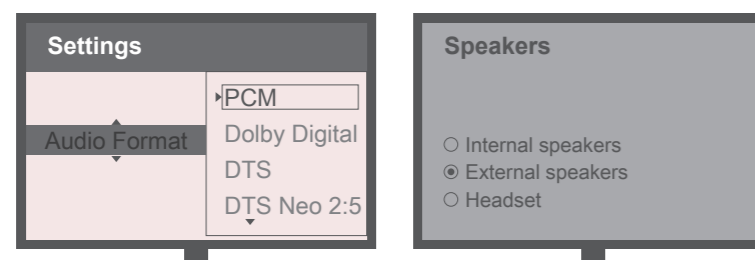


Fig17-1 Set your TV Audio Format to "PCM"(IMPORTANT)

Fig17-2 Set your TV Speaker to "External Speaker"

- 17 -

### 11. Warnings

Warranty service is limited to normal use. Any man-made damages such as from connecting to an unsuitable power source, using an unsuitable device, or not following the instructions, as well as damages that did not occur during shipping, repairs and adjustments not approved by the company, damages from misuse, inattention, or improper installation may cause the warranty to be ineffective immediately. This warranty does not include shipping fees.

### 12. FCC Notice

This device complies with Part 15 of the FCC Rules. Operation is subject to the following two conditions:  
(1) This device may not cause harmful interference, and (2) this device must accept any interference received, including interference that may cause undesired operation.  
NOTE 1: This equipment has been tested and found to comply with the limits for a Class B digital device, pursuant to part 15 of the FCC Rules. These limits are designed to provide reasonable protection against harmful interference in a residential installation.

- 18 -

This equipment generates, uses and can radiate radio frequency energy and, if not installed and used in accordance with the instructions, may cause harmful interference to radio communications. However, there is no guarantee that interference will not occur in a particular installation. If this equipment does cause harmful interference to radio or television reception, which can be determined by turning the equipment off and on, the user is encouraged to try to correct the interference by one or more of the following measures:

- Reorient or relocate the receiving antenna.
  - Increase the separation between the equipment and receiver.
  - Connect the equipment into an outlet on a circuit different from that to which the receiver is connected.
  - Consult the dealer or an experienced radio/TV technician for help.
- NOTE 2: Any changes or modifications to this unit not expressly approved by the party responsible for compliance could void the user's authority to operate the equipment.

- 19 -



Disposal: The symbol of crossed out container on the product, in the literature or on the wrapping means that in the European Union all the electric and electronic products, batteries and accumulators must be placed into the separate salvage after finishing their lifetime. Do not throw these products into the unsorted municipal waste



### DECLARATION OF CONFORMITY

Hereby, the company Abacus Electric, s.r.o. declares that the EVOLVEO AudioConverter XS is in compliance with the requirements of the standards and regulations, relevant for the given type of device.

Find the complete text of Declaration of Conformity at [ftp://ftp.evolveo.com/ce](http://ftp.evolveo.com/ce)

Copyright © Abacus Electric, s.r.o.  
www.evolveo.com  
www.facebook.com/EvolveoCZ

All rights reserved.  
Design and specification may be changed without prior notice.

- 20 -