



# **RS521A-E12 Series**

## **RS521A-E12-RS12U**

### **2U Rackmount Server User Guide**



E23614  
First Edition  
September 2024

**Copyright © 2024 ASUSTeK COMPUTER INC. All Rights Reserved.**

No part of this manual, including the products and software described in it, may be reproduced, transmitted, transcribed, stored in a retrieval system, or translated into any language in any form or by any means, except documentation kept by the purchaser for backup purposes, without the express written permission of ASUSTeK COMPUTER INC. ("ASUS").

ASUS provides this manual "as is" without warranty of any kind, either express or implied, including but not limited to the implied warranties or conditions of merchantability or fitness for a particular purpose. In no event shall ASUS, its directors, officers, employees, or agents be liable for any indirect, special, incidental, or consequential damages (including damages for loss of profits, loss of business, loss of use or data, interruption of business and the like), even if ASUS has been advised of the possibility of such damages arising from any defect or error in this manual or product.

Specifications and information contained in this manual are furnished for informational use only, and are subject to change at any time without notice, and should not be construed as a commitment by ASUS. ASUS assumes no responsibility or liability for any errors or inaccuracies that may appear in this manual, including the products and software described in it.

Product warranty or service will not be extended if: (1) the product is repaired, modified or altered, unless such repair, modification or alteration is authorized in writing by ASUS; or (2) the serial number of the product is defaced or missing.

Products and corporate names appearing in this manual may or may not be registered trademarks or copyrights of their respective companies, and are used only for identification or explanation and to the owners' benefit, without intent to infringe.

# Contents

Safety information.....	vii
About this guide.....	xi

## Chapter 1: Product Introduction

1.1	System package contents.....	1-2
1.2	Serial number label.....	1-3
1.3	System specifications .....	1-4
1.4	Front panel features.....	1-7
1.5	Rear panel features.....	1-8
1.6	Internal features .....	1-9
1.7	LED information .....	1-10
1.7.1	Front panel LEDs .....	1-10
1.7.2	Storage device status LED.....	1-11
1.7.3	LAN (RJ-45) LEDs .....	1-11
1.7.4	Rear panel LEDs.....	1-12
1.7.5	Q-Code table.....	1-13

## Chapter 2: Hardware Information

2.1	Chassis cover.....	2-2
2.1.1	Removing the rear cover.....	2-2
2.1.2	Removing the mid cover .....	2-3
2.2	Air duct.....	2-4
2.2.1	Removing the air ducts .....	2-4
2.2.2	Installing the air ducts .....	2-5
2.3	Central Processing Unit (CPU) .....	2-7
2.3.1	Installing the CPU and heatsink.....	2-7
2.4	System memory .....	2-11
2.4.1	Memory Configurations.....	2-11
2.4.2	Installing a DIMM .....	2-13
2.4.3	Removing a DIMM .....	2-13
2.5	(optional) Front bezel.....	2-14
2.5.1	Removing the front bezel.....	2-14
2.5.2	Installing the front bezel.....	2-15
2.6	Storage devices.....	2-18
2.6.1	Installing a 3.5" storage device to the front bay .....	2-18
2.6.2	Installing a 2.5" storage device to the front bay .....	2-20
2.6.3	Installing a 2.5" storage device to the rear bay .....	2-22

<b>2.7</b>	<b>Expansion slot.....</b>	<b>2-23</b>
2.7.1	Installing an expansion card to the left PCIe riser card bracket.....	2-24
2.7.2	Installing an expansion card to the right PCIe riser card bracket.....	2-27
2.7.3	Installing an HBA/RAID card to the right PCIe riser card bracket.....	2-31
2.7.4	Installing an OCP 3.0 card to the OCP 3.0 slot.....	2-33
2.7.5	Installing an M.2 (NGFF) card.....	2-34
2.7.6	(optional) Installing the PFR module.....	2-35
2.7.7	Configuring an expansion card.....	2-36
<b>2.8</b>	<b>Cable connections.....</b>	<b>2-37</b>
<b>2.9</b>	<b>Backplane cabling.....</b>	<b>2-38</b>
<b>2.10</b>	<b>Storage device configuration and cabling.....</b>	<b>2-39</b>
2.10.1	12 x NVMe/SATA/SAS storage device configuration and cabling.....	2-40
<b>2.11</b>	<b>Motherboard.....</b>	<b>2-41</b>
2.11.1	Removing the motherboard.....	2-41
2.11.2	Installing the motherboard.....	2-42
<b>2.12</b>	<b>Removable/optional components.....</b>	<b>2-43</b>
2.12.1	System fans.....	2-43
2.12.2	Redundant power supply module.....	2-45
2.12.3	CMOS battery.....	2-46
<b>2.13</b>	<b>Rail Kit Options.....</b>	<b>2-47</b>

### Chapter 3: Motherboard Information

<b>3.1</b>	<b>Motherboard layout.....</b>	<b>3-2</b>
<b>3.2</b>	<b>Central Processing Unit (CPU).....</b>	<b>3-5</b>
<b>3.3</b>	<b>Dual Inline Memory Module (DIMM).....</b>	<b>3-5</b>
<b>3.4</b>	<b>Jumpers.....</b>	<b>3-6</b>
<b>3.5</b>	<b>Internal LEDs.....</b>	<b>3-11</b>
<b>3.6</b>	<b>Internal connectors.....</b>	<b>3-14</b>

### Chapter 4: BIOS Setup

<b>4.1</b>	<b>Managing and updating your BIOS.....</b>	<b>4-2</b>
4.1.1	ASUS CrashFree BIOS 3 utility.....	4-2
4.1.2	ASUS EZ Flash Utility.....	4-3
<b>4.2</b>	<b>BIOS setup program.....</b>	<b>4-4</b>
4.2.1	BIOS menu screen.....	4-5
4.2.2	Menu bar.....	4-5
4.2.3	Menu items.....	4-6

4.2.4	Submenu items .....	4-6
4.2.5	Navigation keys.....	4-6
4.2.6	General help.....	4-6
4.2.7	Configuration fields .....	4-6
4.2.8	Pop-up window.....	4-6
4.2.9	Scroll bar .....	4-6
<b>4.3</b>	<b>Main menu .....</b>	<b>4-7</b>
<b>4.4</b>	<b>Advanced menu .....</b>	<b>4-8</b>
4.4.1	Trusted Computing.....	4-8
4.4.2	Redfish Host Interface Settings.....	4-9
4.4.3	AMD CBS.....	4-10
4.4.4	Onboard LAN Configuration .....	4-19
4.4.5	UEFI Variables Protection.....	4-19
4.4.6	Serial Port Console Redirection .....	4-20
4.4.7	CPU Configuration .....	4-22
4.4.8	PCI Subsystem Settings .....	4-23
4.4.9	USB Configuration .....	4-28
4.4.10	Network Stack Configuration.....	4-28
4.4.11	NVMe Configuration.....	4-29
4.4.12	SATA Configuration .....	4-30
4.4.13	Offboard SATA Controller Configuration .....	4-30
4.4.14	APM Configuration .....	4-31
4.4.15	AMD Mem Configuration Status.....	4-31
4.4.16	T1s Auth.....	4-32
4.4.17	Driver Health .....	4-32
4.4.18	Third-party UEFI driver configurations .....	4-33
<b>4.5</b>	<b>Chipset menu .....</b>	<b>4-34</b>
<b>4.6</b>	<b>Security menu .....</b>	<b>4-35</b>
<b>4.7</b>	<b>Boot menu .....</b>	<b>4-38</b>
<b>4.8</b>	<b>Tool menu.....</b>	<b>4-39</b>
<b>4.9</b>	<b>Event Logs menu .....</b>	<b>4-40</b>
4.9.1	Change Smbios Event Log Settings .....	4-41
4.9.2	View Smbios Event Log .....	4-42
<b>4.10</b>	<b>Server Mgmt menu.....</b>	<b>4-43</b>
4.10.1	System Event Log .....	4-44
4.10.2	View FRU information .....	4-44
4.10.2	BMC network configuration.....	4-45
4.10.3	View System Event Log .....	4-47
<b>4.11</b>	<b>Save &amp; Exit menu.....</b>	<b>4-48</b>

**Appendix**

**K14PA-U24-T block diagram ..... A-2**  
**Notices ..... A-3**  
**Service and Support ..... A-8**

## Safety information

### Electrical Safety

- Before installing or removing signal cables, ensure that the power cables for the system unit and all attached devices are unplugged.
- To prevent electrical shock hazard, disconnect the power cable from the electrical outlet before relocating the system.
- When adding or removing any additional devices to or from the system, ensure that the power cables for the devices are unplugged before the signal cables are connected. If possible, disconnect all power cables from the existing system before you add a device.
- If the power supply is broken, do not try to fix it by yourself. Contact a qualified service technician or your dealer.

### Sécurité électrique

- Avant d'installer ou de retirer des câbles, assurez-vous que les câbles d'alimentation du système et de tous les périphériques sont débranchés.
- Pour éviter tout risque de choc électrique, débranchez le câble d'alimentation de la prise électrique avant de toucher au système.
- Lors de l'ajout ou du retrait de périphériques, vérifiez que les câbles d'alimentation sont débranchés avant de brancher d'autres câbles. Si possible, déconnectez tous les câbles d'alimentation du système avant d'y installer un périphérique.
- Si le bloc d'alimentation est endommagé, n'essayez pas de le réparer vous-même. Contactez un technicien électrique qualifié ou votre revendeur.

## Operation Safety

- Any mechanical operation on this server must be conducted by certified or experienced engineers.
- Before operating the server, carefully read all the manuals included with the server package.
- Before using the server, ensure all cables are correctly connected and the power cables are not damaged. If any damage is detected, contact your dealer as soon as possible.
- To avoid short circuits, keep paper clips, screws, and staples away from connectors, slots, sockets and circuitry.
- Avoid dust, humidity, and temperature extremes. Place the server on a stable surface.
- If you encounter technical problems with the product, contact a qualified service technician or your retailer.



---

This product is equipped with a three-wire power cable and plug for the user's safety. Use the power cable with a properly grounded electrical outlet to avoid electrical shock.

---

## Sécurité de fonctionnement

- Toute opération mécanique sur ce serveur doit être effectuée par des ingénieurs certifiés ou expérimentés.
- Avant d'utiliser le serveur, lisez attentivement tous les manuels fournis avec ce dernier.
- Avant d'utiliser le serveur, vérifiez que tous les câbles sont bien branchés et que les câbles d'alimentation ne sont pas endommagés. Si des dommages sont détectés, contactez votre revendeur dès que possible.
- Pour éviter les court-circuits, gardez les clips, les vis et les agrafes loin des connecteurs, des slots, des interfaces de connexion et de la circuiterie.
- Évitez la poussière, l'humidité et les températures extrêmes. Placez le serveur sur une surface stable.
- Si vous rencontrez des problèmes techniques avec votre produit, contactez un technicien qualifié ou votre revendeur.



---

Ce produit est équipé d'un câble d'alimentation et d'une prise tripolaires pour la sécurité de l'utilisateur. Utilisez le câble d'alimentation sur une prise électrique correctement reliée à la terre pour éviter les chocs électriques.

---



## Restricted Access Location

This product is intended for installation only in a Computer Room where:

- Access can only be gained by SERVICE PERSONS or by USERS who have been instructed about the reasons for the restrictions applied to the location and about any precautions that shall be taken.
- Access is through the use of a TOOL, or other means of security, and is controlled by the authority responsible for the location.

## Emplacement d'accès restreint

Ce produit est destiné à être installé uniquement dans une salle informatique où :

- L'accès est uniquement accordé aux TECHNICIENS ou UTILISATEURS qui ont connaissance des raisons de cette restriction et des précautions qui devraient être prises.
- L'accès se fait par le biais d'un OUTIL ou tout dispositif de sécurité, et est contrôlé par l'autorité responsable de cet emplacement.

### Lithium-Ion Battery Warning

CAUTION! Danger of explosion if battery is incorrectly replaced. Replace only with the same or equivalent type recommended by the manufacturer. Dispose of used batteries according to the manufacturer's instructions.

### Avertissement sur les batteries Lithium-Ion

ATTENTION ! Danger d'explosion si la batterie n'est pas correctement remplacée. Remplacer uniquement par une batterie de type identique ou équivalent, comme recommandé par le fabricant. Jetez les batteries usagées conformément aux instructions du fabricant.

### Heavy System

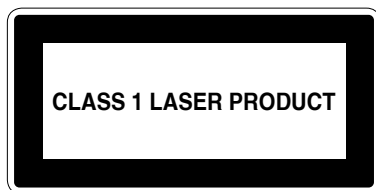
CAUTION! This server system is heavy. Ask for assistance when moving or carrying the system.

### Système lourd

ATTENTION ! Ce serveur est un système lourd. Demandez de l'aide pour déplacer ou transporter le système.

## Optical Drive Safety Information

### Laser Safety Information



---

To prevent exposure to the optical drive's laser, do not attempt to disassemble or repair the optical drive by yourself. For your safety, contact a professional technician for assistance.

---

## Informations de sécurité concernant le lecteur optique

### Informations de sécurité relatives au laser



---

Risque d'exposition dangereuse au laser. Ne tentez pas de démonter ou réparer le lecteur de disque optique. Pour votre sécurité, faites réparer le lecteur de disque optique uniquement par un prestataire de dépannage agréé.

---

# About this guide

## Audience

This user guide is intended for system integrators, and experienced users with at least basic knowledge of configuring a server.

## Contents

This guide contains the following parts:

**1. Chapter 1: Product Introduction**

This chapter describes the general features of the server, including sections on front panel and rear panel specifications.

**2. Chapter 2: Hardware Information**

This chapter lists the hardware setup procedures that you have to perform when installing or removing system components.

**3. Chapter 3: Motherboard Information**

This chapter gives information about the motherboard that comes with the server. This chapter includes the motherboard layout, jumper settings, and connector locations.

**4. Chapter 4: BIOS Setup**

This chapter tells how to change system settings through the BIOS Setup menus and describes the BIOS parameters.

## Conventions

To ensure that you perform certain tasks properly, take note of the following symbols used throughout this manual.



**DANGER/WARNING:** Information to prevent injury to yourself when trying to complete a task.



**CAUTION:** Information to prevent damage to the components when trying to complete a task.



**IMPORTANT:** Instructions that you **MUST** follow to complete a task.



**NOTE:** Tips and additional information to help you complete a task.

## Typography

### **Bold text**

Indicates a menu or an item to select.

### *Italics*

Used to emphasize a word or a phrase.

### <Key>

Keys enclosed in the less-than and greater-than sign means that you must press the enclosed key.

Example: <Enter> means that you must press the Enter or Return key.

### <Key1>+<Key2>+<Key3>

If you must press two or more keys simultaneously, the key names are linked with a plus sign (+).

Example: <Ctrl>+<Alt>+<Del>

### Command

Means that you must type the command exactly as shown, then supply the required item or value enclosed in brackets.

Example: At the command prompt, type the command line: **format A:/S**

## References

Refer to the following sources for additional information, and for product and software updates.

### 1. **ASUS Control Center (ACC) user guide**

This manual tells how to set up and use the proprietary ASUS server management utility. Visit [asuscontrolcenter.asus.com](https://www.asus.com) for more information.

### 2. **ASUS websites**

The ASUS websites provide updated information for all ASUS hardware and software products. Visit <https://www.asus.com> for more information.

# Product Introduction

# 1

This chapter describes the general features of the server. It includes sections on front panel and rear panel specifications.

## 1.1 System package contents

Check your system package for the following items.

Model Name	RS521A-E12-RS12U
Chassis	ASUS R2P-E 2U Rackmount Chassis
Motherboard	ASUS K14PA-U24-T Server Board
Component	12 x 3.5-inch Storage Device Trays or Dummy Trays
	2 x 2.5-inch Storage Device Trays
	4 x System Fans
Accessories	1 x CPU Heatsink
	2 x AC Power Cable
Optional Items	1+1 Redundant 2000W Power Supply or 1+1 Redundant 1600W Power Supply or 1+1 Redundant 1200W Power Supply
	2 x Riser card
	1 x System redundant fan kit
	1 x Friction Rail Kit or Ball-bearing rail kit

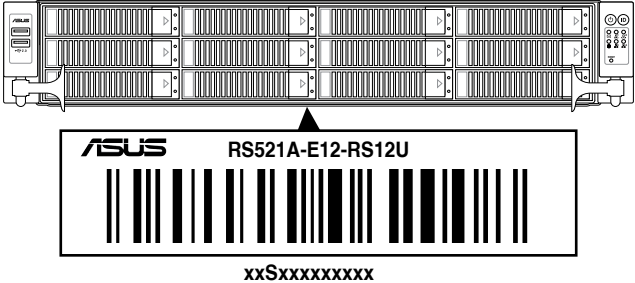


If any of the above items is damaged or missing, contact your retailer.

# 1.2 Serial number label

The product's serial number contains 12 characters such as xxSxxxxxxxxx and printed on the sticker at the server's front cover.

The correct serial number of the product is required if you need to request for support from the ASUS Technical Support team.



## 1.3 System specifications

The ASUS RS521A-E12 Series features the ASUS K14PA-U24-T server board. The server supports AMD EPYC™ 9004/9005 Series processors plus other latest technologies through the chipsets onboard.

Model Name		RS521A-E12-RS12U
Motherboard		K14PA-U24-T
Processor Support		1 x Socket SP5 (LGA-6096) 4 <sup>th</sup> /5 <sup>th</sup> Generation AMD EPYC™ processors with AMD 3D V-Cache technology AMD EPYC™ 9005 series (up to 400W) AMD EPYC™ 9004 series (up to 400W) (Air cool with EVAC up to 400W)
Core Logic		System on Chip (SoC)
Memory	Total Slots	24 (12-channel per CPU, 24 DIMM per CPU)
	Capacity	Maximum up to 6TB
	Memory Type	DDR5 5600 RDIMM/3DS RDIMM 2DPC (1 of 2) up to 5200 2DPC (2 of 2, 1R+1R ) up to 4400 2DPC (2 of 2, 2R+2R ) up to 4000 * Please refer to <a href="http://www.asus.com">www.asus.com</a> for latest memory AVL update
	Memory Size	96GB, 64GB, 32GB, 16GB RDIMM 96GB, 64GB, 32GB, 16GB 3DS RDIMM * Refer to <a href="http://www.asus.com/support">www.asus.com/support</a> for more information
Expansion Slots	Total PCI/PCIe/ PIKE Slots	5+1
	Slot Type	<b>Up to 5 PCIe Gen5 slots + 1 OCP3.0</b> 2 x PCIe Gen5 x16, FHFL or 4 x PCIe Gen5 x8 1 x PCIe Gen5 x16, LP 1 x OCP 3.0 (PCIe Gen5 x16)
	M.2	2 x M.2 (SATA signal or PCIe Gen5 x4 link) (Up to 22110)
	microSD Card slot	1
	Proprietary Slot 1	1 x PCIe x16 slot (Gen5 x8 link, for HBA/RAID card only)
	Proprietary Slot 2	-
Disk Controller	SATA Controller	CPU integrated 2 x M.2 connectors (support SATA3 6Gb/s or PCIe Gen5 x4 link) 1 x SATA controller (supports 2 x SATA3 6Gb/s)
	SAS Controller	<u>Optional kits:</u> ASUS PIKE II 3008 8-port SAS 12Gb/s HBA card Broadcom MegaRAID 9560-16i

(continued on the next page)



Model Name		RS521A-E12-RS12U
Storage	Storage Bay	<p><u>Front bays</u></p> <p>12 x 3.5" hot-swap drive bays  - 12 x NVMe/SATA/SAS*  * SAS support only from optional SAS HBA/RAID card.</p> <p><u>Rear bays</u></p> <p>2 x 2.5" Storage Device Trays (SATA III)</p>
	Backplane Connectors	<p>6 x MCIO x2 (for NVMe)  3 x SlimSAS x4 (for SATA)</p>
	MB onboard Connectors	<p>2 x M.2 connectors  8 x MCIO connectors</p>
Networking		<p>1 x Dual Port Intel I350-AM2 Gigabit LAN controller  1 x Management Port  <u>Optional OCP Adapter:</u>  Up to 100Gb/s Ethernet / InfiniBand Adapter</p>
VGA	BMC Integrated (Aspeed AST2600 256MB)	
Graphic	<p>4 x Single-wide GPU (FHFL) or  2 x Double-wide GPU (FHFL)</p>	
Front I/O Ports	<p>2 x USB 3.2 Gen 1 ports  1 x Power button</p>	
Rear I/O Ports	<p>2 x USB 3.2 Gen 1 ports  1 x VGA port  1 x RJ-45 Mgmt LAN port  2 x RJ-45 1GbE LAN ports</p>	
Switch/LED	<p><u>Front Switch/LED:</u></p> <p>1 x Power Switch (w/LED)  1 x Reset Switch  1 x Location Switch (w/LED)  1 x HDD Access LED  1 x Message LED  LAN 1-2 LED</p> <p><u>Rear Switch/LED:</u></p> <p>1 x Port80 LED (Q-Code)  1 x Power Switch w/LED  1 x Location Switch w/LED  1 x Message LED</p>	
Security Options	<p>TPM-SPI Module (optional)  PFR Module (optional)</p>	
OS Support	Please find the latest OS support from <a href="https://www.asus.com/">https://www.asus.com/</a>	

(continued on the next page)

<b>Model Name</b>		<b>RS521A-E12-RS12U</b>
<b>Management Solution</b>	<b>Software</b>	ASUS Control Center (Classic)
	<b>Out of Band Remote Management</b>	On-Board ASMB11-iKVM for KVM-over-IP
<b>Regulatory Compliance</b>		CE, RCM, FCC (Class A)
<b>Dimension</b>		840mm x 449mm x 88.1mm (2U) 33.07" x 17.68" x 3.47"
<b>Net Weight Kg</b>		17.95Kg (CPU, DRAM & HDD not included)
<b>Gross Weight Kg</b>		25.14Kg (CPU, DRAM & HDD not included, Packing include)
<b>Power Supply (different configuration by region)</b>		1+1 Redundant 1200W 80PLUS Platinum CRPS Power Supply Rating: 100-127/200-240Vac, 10A/8A (x2), 50/60Hz 1+1 Redundant 2000W/1600W 80 PLUS Platinum/Titanium CRPS Supply Rating: 100-127/200-240Vac, 12A/10A (x2), 50/60Hz (240Vdc Only for China)
<b>Environment</b>		Operating temperature: 10°C ~ 35°C Non operating temperature: -40°C ~ 60°C Non operating humidity: 20% ~ 90% (Non condensing)

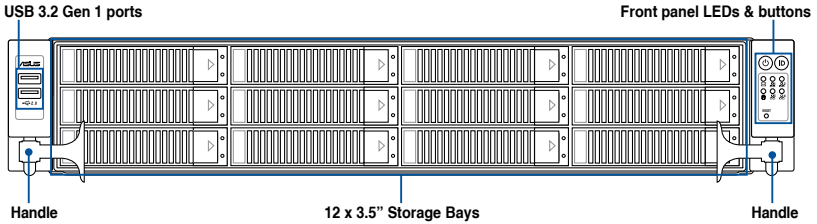
\*Specifications are subject to change without notice.

## 1.4 Front panel features

The barebone server displays a simple yet stylish front panel with easily accessible features. The power and reset buttons, LED indicators are located on the front panel.

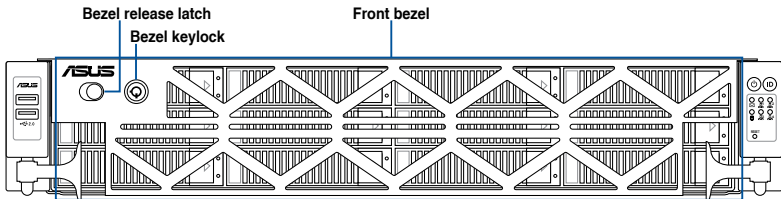


Refer to section 1.7 **LED information** for the LED descriptions.



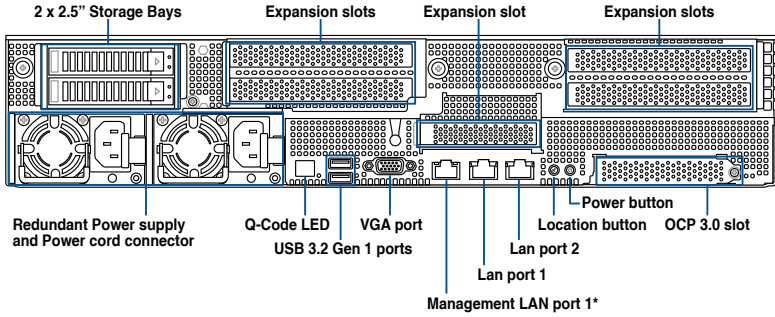
Bay 1 to bay 12 supports NVMe/SATA/SAS. SAS support requires optional HBA/RAID card.

For extra security, a front bezel (purchased separately) can be installed to prevent unauthorized physical access to the hard drives and power button.



## 1.5 Rear panel features

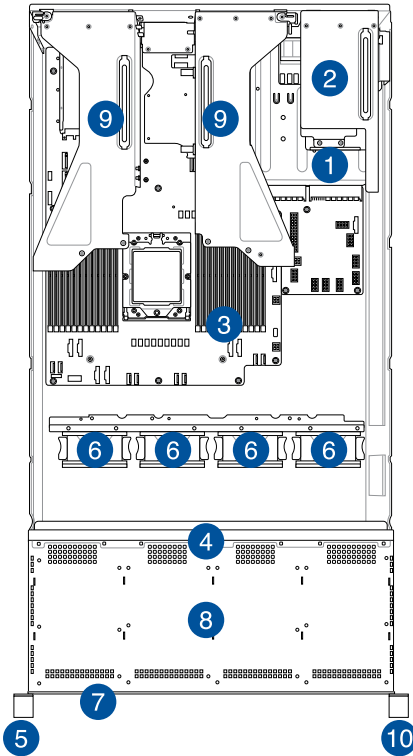
The rear panel includes the expansion slots, and system power sockets. The middle part includes the I/O shield with openings for the rear panel connectors on the motherboard.



- \* This port is for ASUS ASMB11-iKVM only.
- The Q-Code LED provides the most probable cause of an error code as a starting point for troubleshooting. The actual cause may vary from case to case.
- Refer to the Q-Code table for details.

## 1.6 Internal features

The barebone server includes the basic components as shown.



1. Redundant Power supply (hidden)
2. 2 x 2.5" storage device trays
3. ASUS K14PA-U24-T Server Board
4. SATA/SAS/NVMe back panel
5. Front USB panel
6. System fans
7. Asset Tag (hidden)
8. 12 x 3.5" storage device trays
9. PCIe riser cards
10. Front I/O panel

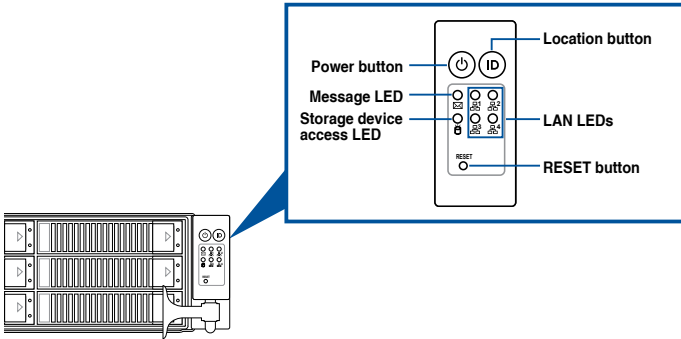


A protection film is pre-attached to the front cover before shipping. Please remove the protection film before turning on the system for proper heat dissipation.

**WARNING**  
**HAZARDOUS MOVING PARTS**  
**KEEP FINGERS AND OTHER BODY PARTS AWAY**

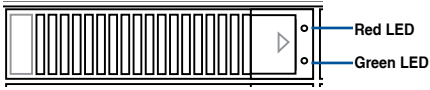
# 1.7 LED information

## 1.7.1 Front panel LEDs



LED	Icon	Display status	Description
Power LED	⏻	ON	System power ON
Storage device access LED	🗄️	OFF	No activity
		Blinking	Read/write data into the storage device
Message LED	✉️	OFF	System is normal; no incoming event
		ON	With the onboard ASMB10-iKVM: a hardware monitor event is indicated
LAN LEDs	📶	OFF	No LAN connection
		Blinking	LAN is transmitting or receiving data
		ON	LAN connection is present
Location LED	ID	ON	Location switch is pressed
		OFF	Normal status (Press the location switch again to turn off)

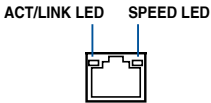
## 1.7.2 Storage device status LED



Storage Device LED Description		
Status (RED)	ON	Storage device has failed
	Blinking	RAID rebuilding or locating
Activity (GREEN)	ON	Storage device power ON
	Blinking	SATA/SAS storage device reading or writing data
	OFF	Storage device not found

## 1.7.3 LAN (RJ-45) LEDs

### Intel® I350-AM2 1G LAN port LEDs



ACT/LINK LED		SPEED LED	
Status	Description	Status	Description
OFF	No link	OFF	10 Mbps connection
GREEN	Linked	ORANGE	100 Mbps connection
BLINKING	Data activity	GREEN	1 Gbps connection

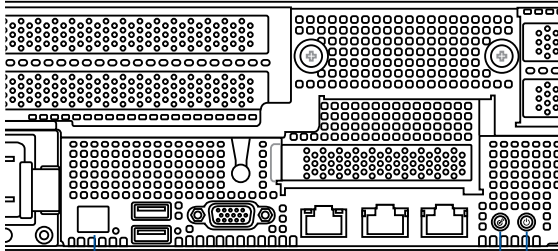
## Dedicated Management LAN port (DM\_LAN1) LED indications

ACT/LINK LED    SPEED LED



ACT/LINK LED		SPEED LED	
Status	Description	Status	Description
OFF	No link	OFF	10 Mbps connection
GREEN	Linked	ORANGE	100 Mbps connection
BLINKING	Data activity	GREEN	1 Gbps connection

### 1.7.4 Rear panel LEDs



Q-Code LED

Location button with LED

Power button with LED

LED	Icon	Display status	Description
Power LED	⏻	ON	System power ON
Location LED	📍	ON	Location switch is pressed
		OFF	Normal status (Press the location switch again to turn off)



## 1.7.5 Q-Code table

Action	PHASE	POST CODE	TYPE	DESCRIPTION
SEC Start up	Security Phase	0x01	Progress	First post code
		0x02	Progress	Load BSP microcode
		0x03	Progress	Perform early platform Initialization
		0x04	Progress	Set cache as ram for PEI phase
		0x05	Progress	Establish Stack
		0x06	Progress	CPU Early Initialization
PSP Boot	PSP Boot Loader phase (Error Post Codes)	0x00	error	General - Success
		0x01	error	Generic Error Code
		0x02	error	Generic Memory Error
		0x03	error	Buffer Overflow
		0x04	error	Invalid Parameter(s)
		0x05	error	Invalid Data Length
		0x06	error	Data Alignment Error
		0x07	error	Null Pointer Error
		0x08	error	Unsupported Function
		0x09	error	Invalid Service ID
		0x0A	error	Invalid Address
		0x0B	error	Out of Resource Error
		0x0C	error	Timeout
		0x0D	error	Data abort exception
		0x0E	error	Prefetch abort exception
		0x0F	error	Out of Boundary Condition Reached
		0x10	error	Data corruption
		0x11	error	Invalid command
		0x12	error	The package type provided by BR is incorrect
		0x13	error	Failed to retrieve FW header during FW validation
		0x14	error	Key size not supported
		0x15	error	Agesa0 verification error
		0x16	error	SMU FW verification error
		0x17	error	OEM SINGING KEY verification error
		0x18	error	Generic FW Validation error
		0x19	error	RSA operation fail - bootloader
		0x1A	error	CCP Passthrough operation failed - internal status
		0x1B	error	AES operation fail
		0x1C	error	CCP state save failed
		0x1D	error	CCP state restore failed
		0x1E	error	SHA256/384 operation fail - internal status
		0x1F	error	ZLib Decompression operation fail
		0x20	error	HMAC-SHA256/384 operation fail - internal status
		0x21	error	Booted from boot source not recognized by PSP
		0x22	error	PSP directory entry not found
		0x23	error	PSP failed to set the write enable latch
		0x24	error	PSP timed out because spirom took too long
		0x25	error	Cannot find BIOS directory
		0x26	error	SpiRom is not valid
		0x27	error	Slave die has different security state from master
		0x28	error	SMI interface init failure
		0x29	error	SMI interface generic error
0x2A	error	Invalid die ID executes MCM related function		
0x2B	error	Invalid MCM configuration table read from bootrom		
0x2C	error	Valid boot mode wasn't detected		
0x2D	error	NVStorage init failure		
0x2E	error	NVStorage generic error		
0x2F	error	MCM 'error' to indicate slave has more data to send		
0x30	error	MCM error if data size exceeds 32B		
0x31	error	Invalid client id for SVC MCM call		
0x32	error	MCM slave status register contains bad bits		
0x33	error	MCM call was made in a single die environment		
0x34	error	PSP secure mapped to invalid segment (should be 0x400_0000)		
0x35	error	No physical x86 cores were found on die		
0x36	error	Insufficient space for secure OS (range of free SRAM to SVC stack base)		
0x37	error	SYSHUB mapping memory target type is not supported		
0x38	error	Attempt to unmap permanently mapped TLB to PSP secure region		
0x39	error	Unable to map an SMN address to AXI space		
0x3A	error	Unable to map a SYSHUB address to AXI space		

(continued on the next page)

Action	PHASE	POST CODE	TYPE	DESCRIPTION
PSP Boot	PSP Boot Loader phase (Error Post Codes)	0x3B	error	The count of CCXs or cores provided by bootrom is not consistent
		0x3C	error	Uncompressed image size doesn't match value in compressed header
		0x3D	error	Compressed option used in case where not supported
		0x3E	error	Fuse info on all dies don't match
		0x3F	error	PSP sent message to SMU; SMU reported an error
		0x40	error	Function RunPostX86ReleaseUnitTests failed in memcmp()
		0x41	error	Interface between PSP to SMU not available.
		0x42	error	Timer wait parameter too large
		0x43	error	Test harness module reported an error
		0x44	error	x86 wrote C2PMSG_0 interrupting PSP, but the command has an invalid format
		0x45	error	Failed to read from SPI the Bios Directory or Bios Combo Directory
		0x46	error	Failed to find FW entry in SPL Table
		0x47	error	Failed to read the combo bios header
		0x48	error	SPL version mismatch
		0x49	error	Error in Validate and Loading AGESA APOB SVC call
		0x4A	error	Correct fuse bits for DIAG_BL loading not set
		0x4B	error	The UmcProgramKeys() function was not called by AGESA
		0x4C	error	Unconditional Unlock based on serial numbers failure
		0x4D	error	Syshub register programming mismatch during readback
		0x4E	error	Family ID in MP0_SFUSE_SEC[7:3] not correct
		0x4F	error	An operation was invoked that can only be performed by the GM
		0x50	error	Failed to acquire host controller semaphore to claim ownership of SMB
		0x51	error	Timed out waiting for host to complete pending transactions
		0x52	error	Timed out waiting for slave to complete pending transactions
		0x53	error	Unable to kill current transaction on host, to force idle
		0x54	error	One of: Illegal command, Unclaimed cycle, or Host time out
		0x55	error	An smbus transaction collision detected, operation restarted
		0x56	error	Transaction failed to be started or processed by host, or not completed
		0x57	error	An unsolicited smbus interrupt was received
		0x58	error	An attempt to send an unsupported PSP-SMU message was made
		0x59	error	An error/data corruption detected on response from SMU for sent msg
		0x5A	error	MCM Steady-state unit test failed
		0x5B	error	S3 Enter failed
		0x5C	error	AGESA BL did not set PSP SMU reserved addresses via SVC call
		0x5D	error	Reserved PSP/SMU memory region is invalid
		0x5E	error	CcxSecBisiEn not set in fuse RAM
		0x5F	error	Received an unexpected result
		0x60	error	VMG Storage Init failed
		0x61	error	Failure in mbedTLS user app
		0x62	error	An error occurred whilst attempting to SMN map a fuse register
		0x63	error	Fuse burn sequence/operation failed due to internal SOC error
		0x64	error	Fuse sense operation timed out
		0x65	error	Fuse burn sequence/operation timed out waiting for burn done
		0x66	error	The PMU FW Public key certificate loading or authentication fails
		0x67	error	This PSP FW was revoked
		0x68	error	The platform model/vendor id fuse is not matching the BIOS public key token
		0x69	error	The BIOS OEM public key of the BIOS was revoked for this platform
0x6A	error	PSP level 2 directory not match expected value.		
0x6B	error	BIOS level 2 directory not match expected value.		
0x6C	error	Reset image not found		
0x6D	error	Generic error indicating the CCP HAL initialization failed		
0x6E	error	Failure to copy NVRAM to DRAM.		
0x6F	error	Invalid key usage flag		
0x70	error	Unexpected fuse set		
0x71	error	RSMU signaled a security violation		
0x72	error	Error programming the WAFL PCS registers		
0x73	error	Error setting wafl PCS threshold value		
0x74	error	Error loading OEM trustlets		
0x75	error	Recovery mode across all dies is not sync'd		
0x76	error	Uncorrectable WAFL error detected		
0x77	error	Fatal MP1 error detected		
0x78	error	Bootloader failed to find OEM signature		
0x79	error	Error copying BIOS to DRAM		
0x7A	error	Error validating BIOS image signature		
0x7B	error	OEM Key validation failed		
0x7C	error	Platform Vendor ID and/or Model ID binding violation		

(continued on the next page)

Action	PHASE	POST CODE	TYPE	DESCRIPTION
PSP Boot	PSP Boot Loader phase (Status Post Codes)	0x7D	error	Bootloader detects BIOS request boot from SPI-ROM, which is unsupported for PSB.
		0x7E	error	Requested fuse is already blown, reblow will cause ASIC malfunction
		0x7F	error	Error with actual fusing operation
		0x80	error	(Local Master PSP on P1 socket) Error reading fuse info
		0x81	error	(Local Master PSP on P1 socket) Platform Vendor ID and/or Model ID binding violation
		0x82	error	(Local Master PSP on P1 socket) Requested fuse is already blown, reblow will cause ASIC malfunction
		0x83	error	(Local Master PSP on P1 socket) Error with actual fusing operation
		0x84	error	SEV FW Rollback attempt is detected
		0x85	error	SEV download FW command fail to broadcast and clear the IsInSRAM field on slave dies
		0x86	error	Agesa error injection failure
		0x87	error	Uncorrectable TWIX error detected
		0x88	error	Error programming the TWIX PCS registers
		0x89	error	Error setting TWIX PCS threshold value
		0x8A	error	SW CCP queue is full, cannot add more entries
		0x8B	error	CCP command description syntax error detected from input
		0x8C	error	Return value stating that the command has not yet be scheduled
		0x8D	error	The command is scheduled and being worked on
		0x8E	error	The DXIO PHY SRAM Public key certificate loading or authentication fails
		0x8F	error	TPM binary size exceeds limit allocated in Private DRAM, need to increase the limit
		0x90	error	The TWIX link for a particular CCD is not trained Fatal error
		0x91	error	Security check failed (not all dies are in same security state)
		0x92	error	FW type mismatch between the requested FW type and the FW type embedded in the FW binary header
		0x93	error	SVC call input parameter address violation
		0x94	error	Firmware Compatibility Level mismatch
		0x95	error	Bad status returned by I2CKnollCheck
		0x96	error	NACK to general call (no device on Knoll I2C bus)
		0x97	error	Null pointer passed to I2CKnollCheck
		0x98	error	Invalid device-ID found during Knoll authentication
		0x99	error	Error during Knoll/Prom key derivation
		0x9A	error	Null pointer passed to Crypto function
		0x9B	error	Error in checksum from wrapped Knoll/Prom keys
		0x9C	error	Knoll returned an invalid response to a command
		0x9D	error	Bootloader failed in Knoll Send Command function
		0x9E	error	No Knoll device found by verifying MAC
		0x9F	error	The maximum allowable error post code
		0xA0	error	Bootloader successfully entered C Main
		0xA1	error	Master initialized C2P / slave waited for master to init C2P
		0xA2	error	HMAC key successfully derived
		0xA3	error	Master got Boot Mode and sent boot mode to all slaves
		0xA4	error	SpiRom successfully initialized
		0xA5	error	BIOS Directory successfully read from SPI to SRAM
		0xA6	error	Early unlock check
		0xA7	error	Inline Aes key successfully derived
		0xA8	error	Inline-AES key programming is done
		0xA9	error	Inline-AES key wrapper derivation is done
		0xAA	error	Bootloader successfully loaded HW IP configuration values
		0xAB	error	Bootloader successfully programmed MBAT table
		0xAC	error	Bootloader successfully loaded SMU FW
		0xAD	error	Progress code is available
		0xAE	error	User mode test Uapp completed successfully
		0xAF	error	Bootloader loaded Agesa0 from SpiRom
		0xB0	error	AGESA phase has completed
		0xB1	error	RunPostDramTrainingTests() completed successfully
		0xB2	error	SMU FW Successfully loaded to SMU Secure DRAM
0xB3	error	Sent all required boot time messages to SMU		
0xB4	error	Validated and ran Security Gasket binary		
0xB5	error	UMC Keys generated and programmed		
0xB6	error	Inline AES key wrapper stored in DRAM		
0xB7	error	Completed FW Validation step		
0xB8	error	Completed FW Validation step		
0xB9	error	BIOS copy from SPI to DRAM complete		
0xBA	error	Completed FW Validation step		

(continued on the next page)

Action	PHASE	POST CODE	TYPE	DESCRIPTION
PSP Boot	PSP Boot Loader phase (Status Post Codes)	0xBB	error	BIOS load process fully complete
		0xBC	error	Bootloader successfully release x86
		0xBD	error	Early Secure Debug completed
		0xBE	error	GetFWVersion command received from BIOS is completed
		0xBF	error	SMInfo command received from BIOS is completed
		0xC0	error	Successfully entered WarmBootResume()
		0xC1	error	Successfully copied SecureOS image to SRAM
		0xC2	error	Successfully copied trustlets to PSP Secure Memory
		0xC3	error	About to jump to Secure OS (SBL about to copy and jump)
		0xC4	error	Successfully restored CCP and UMC state on S3 resume
		0xC5	error	PSP SRAM HMAC validated by Mini BL
		0xC6	error	About to jump to <t-base in Mini BL
		0xC7	error	VMG ECDH unit test started
		0xC8	error	VMG ECDH unit test passed
		0xC9	error	VMG ECC CDH primitive unit test started
		0xCA	error	VMG ECC CDH primitive unit test passed
		0xCB	error	VMG SP800-108 KDF-CTR HMAC unit test started
		0xCC	error	VMG SP800-108 KDF-CTR HMAC unit test passed
		0xCD	error	VMG LAUNCH_* test started
		0xCE	error	VMG LAUNCH_* test passed
		0xCF	error	MP1 has been taken out of reset, and executing SMUFW
		0xD0	error	PSP and SMU Reserved Addresses correct
		0xD1	error	Reached Naples steady-state WFI loop
		0xD2	error	Knoll device successfully initialized
		0xD3	error	32-byte RandOut successfully returned from Knoll
		0xD4	error	32-byte MAC successfully received from Knoll.
		0xD5	error	Knoll device verified successfully
		0xD6	error	CNLI Keys generated and programmed
		0xD7	error	Enter recovery mode due to trustlet validation fail.
		0xD8	error	Enter recovery mode due to OS validation fail.
		0xD9	error	Enter recovery mode due to OEM public key not found.
		0xDA	error	Enter recovery mode with header corruption
		0xDB	error	We should not treat this error as blocking
		0xDC	error	When same fw image type is already loaded in SRAM
		0xDD	error	0xE2 progress codes are available
		0xE0	error	Unlock return
		0xE2	error	Token expiration reset triggered
		0xE3	error	Completed DXIO PHY SRAM FW key Validation step
		0xE4	error	MP1 firmware load to SRAM success
		0xE5	error	Bootloader read the MP1 SRAM successfully
		0xE6	error	Bootloader successfully reset MP1
		0xE7	error	DF init successfully done (in absence of AGESA)
		0xE8	error	UMC init successfully done (in absence of AGESA)
		0xE9	error	LX6 Boot ROM code ready
		0xEA	error	Bootloader successfully asserted LX6 reset
		0xEB	error	LX6 load to SRAM success
		0xEC	error	Bootloader successfully set LX6 reset vector to SRAM
0xED	error	Bootloader successfully de-asserted LX6 reset		
0xEE	error	LX6 firmware is running and ready		
0xEF	error	Loading of S3 image done successfully		
0xF0	error	Bootloader successfully verify signed image using 4K/2K key		
0xF1	error	Bootloader identified as running on SP32P or multi-socket boot		
0xF2	error	Security Policy check successful (only in secure boot)		
0xF3	error	Bootloader successfully loaded SS3		
0xF4	error	Bootloader successfully load ITPM Driver		
0xF5	error	Bootloader successfully loaded sys_drv		
0xF6	error	Bootloader successfully loaded secure OS		
0xF7	error	Bootloader about to transfer control to secureOS		
0xFF	error	Bootloader sequence finished		
Quick VGA	PEI(Pre-EFI Initialization) phase	0x10	Progress	PEI Core Entry
		0x11	Progress	PEI cache as ram CPU initial
		0x15	Progress	NB Initialization before installed memory
		0x19	Progress	SB Initialization before installed memory

(continued on the next page)

Action	PHASE	POST CODE	TYPE	DESCRIPTION	
Quick VGA	DXE(Driver Execution Environment) phase	0x32	Progress	CPU POST-Memory Initialization	
		0x33	Progress	CPU Cache Initialization	
		0x34	Progress	Application Processor(s) (AP) Initialization	
		0x35	Progress	BSP Selection	
		0x36	Progress	CPU Initialization	
		0x37	Progress	Pre-memory NB Initialization	
		0x3B	Progress	Pre-memory SB Initialization	
		0x4F	Progress	DXE Initial Program Load(IPL)	
		0x60	Progress	DXE Core Started	
		0x61	Progress	DXE NVRAM Initialization	
		0x62	Progress	SB run-time Initialization	
		0x63	Progress	CPU DXE Initialization	
		0x68	Progress	PCI HB Initialization	
		0x69	Progress	NB DXE Initialization	
		0x6A	Progress	NB DXE SMM Initialization	
		0x70	Progress	SB DXE Initialization	
		0x71	Progress	SB DXE SMM Initialization	
0x72	Progress	SB DEVICES Initialization			
0x78	Progress	ACPI Module Initialization			
0xD0	Progress	CPU PM Structure Initialization			
Normal boot	BDS(Boot Device Selection) phase	0x90	Progress	BDS started	
		0x91	Progress	Connect device event	
		0x92	Progress	PCI Bus Enumeration	
		0x93	Progress	PCI Bus Enumeration	
		0x94	Progress	PCI Bus Enumeration	
		0x95	Progress	PCI Bus Enumeration	
		0x96	Progress	PCI Bus Enumeration	
		0x97	Progress	Console output connect event	
		0x98	Progress	Console input connect event	
		0x99	Progress	AMI Super IO start	
		0x9A	Progress	AMI USB Driver Initialization	
		0x9B	Progress	AMI USB Driver Initialization	
		0x9C	Progress	AMI USB Driver Initialization	
		0x9D	Progress	AMI USB Driver Initialization	
		0xb3	Progress	Reset system	
		0xb4	Progress	USB hotplug	
		0xb6	Progress	NVRAM clean up	
		0xb7	Progress	NVRAM configuration reset	
		0xA0	Progress	IDE, AHCI Initialization	
		0xA1	Progress	IDE, AHCI Initialization	
		0xA2	Progress	IDE, AHCI Initialization	
		0xA3	Progress	IDE, AHCI Initialization	
		0x00-0xFF	Progress	Wait BMC ready	
		0xA8	Progress	BIOS Setup Utility password verify	
		0xA9	Progress	BIOS Setup Utility start	
		0xAB	Progress	BIOS Setup Utility input wait	
		0xAD	Progress	Ready to boot event	
		Operating system phase	0xAA	Progress	APIC mode
			0xAC	Progress	PIC mode



# Hardware Information

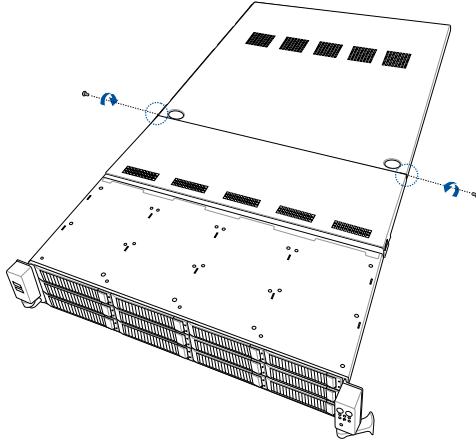
# 2

This chapter lists the hardware setup procedures that you have to perform when installing or removing system components.

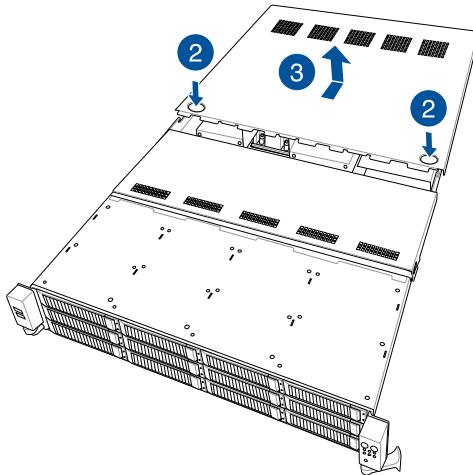
## 2.1 Chassis cover

### 2.1.1 Removing the rear cover

1. Remove the two (2) screws on both sides of the rear cover with a Phillips screwdriver.



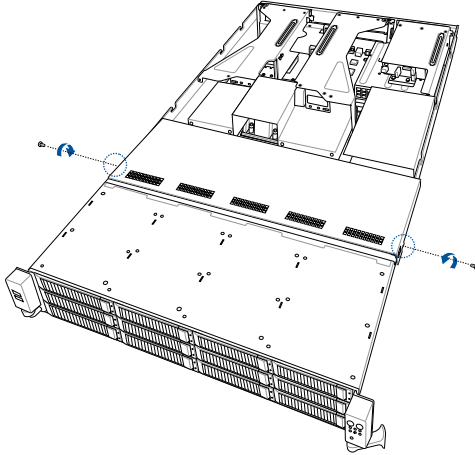
2. Push the buttons on both sides of the top cover to release the rear cover from the chassis.
3. Slide the rear cover towards the rear panel to disengage it from the chassis, then lift the rear cover from the chassis.



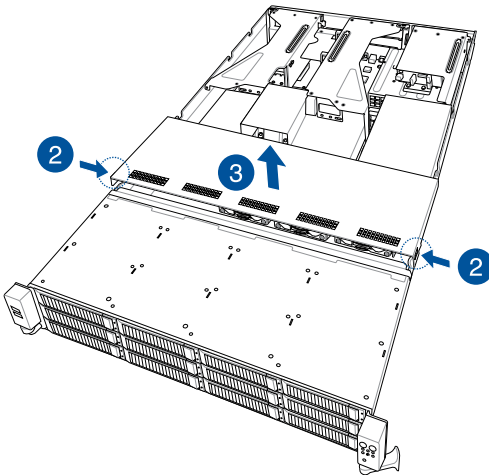


## 2.1.2 Removing the mid cover

1. Remove the two (2) screws on both sides of the mid cover with a Phillips screwdriver.



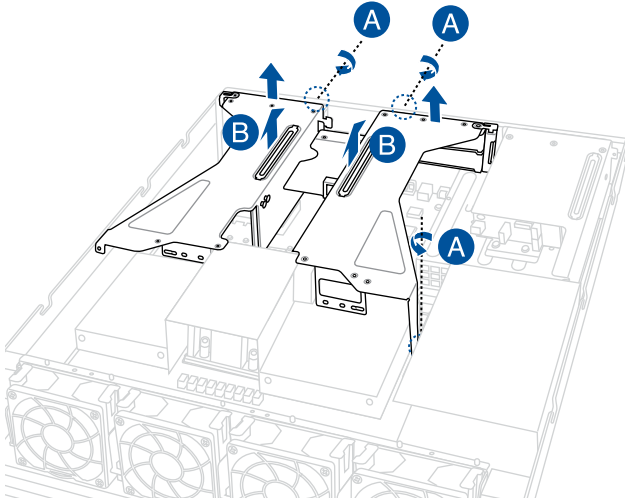
2. Push the buttons on both sides to release the mid cover from the chassis.
3. Lift the mid cover from the chassis.



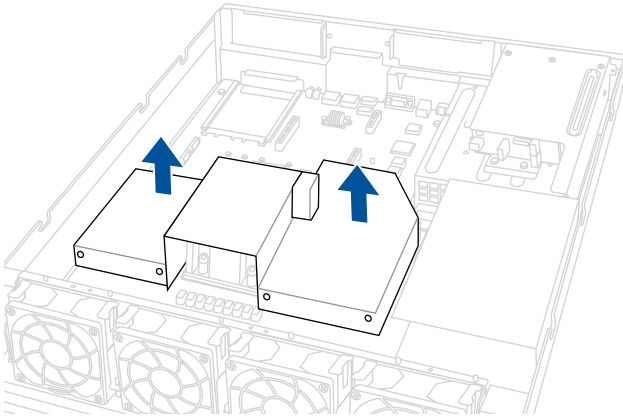
## 2.2 Air duct

### 2.2.1 Removing the air ducts

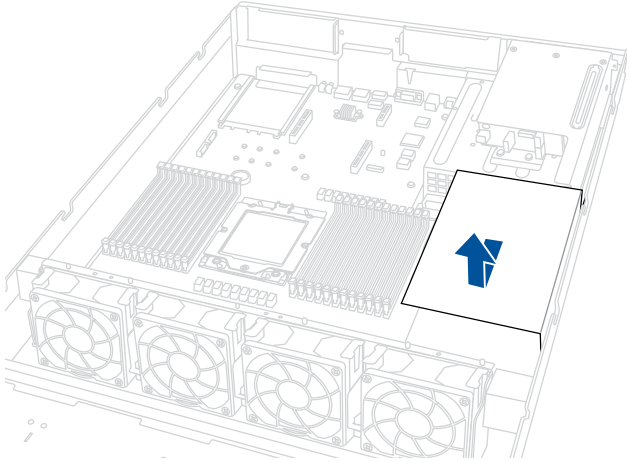
1. Loosen the screws of the left and right riser brackets (A), then lift and remove both riser brackets (B).



2. Lift and remove the CPU and DIMM air duct.

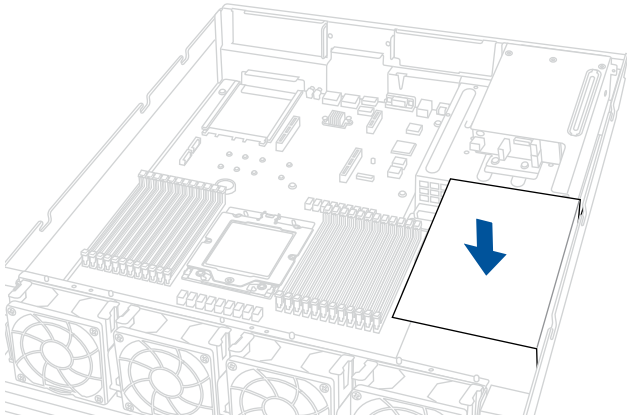


3. Lift and remove the PSU air duct.

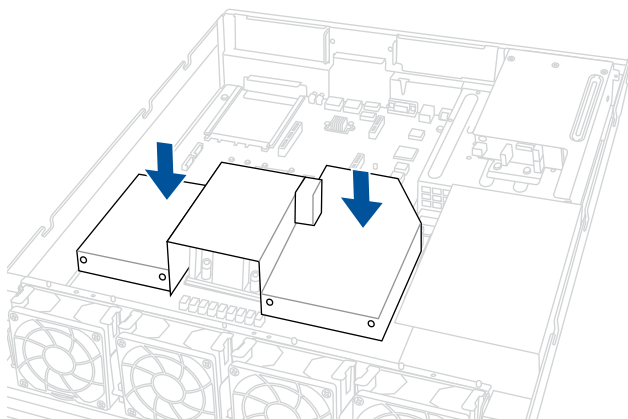


## 2.2.2 Installing the air ducts

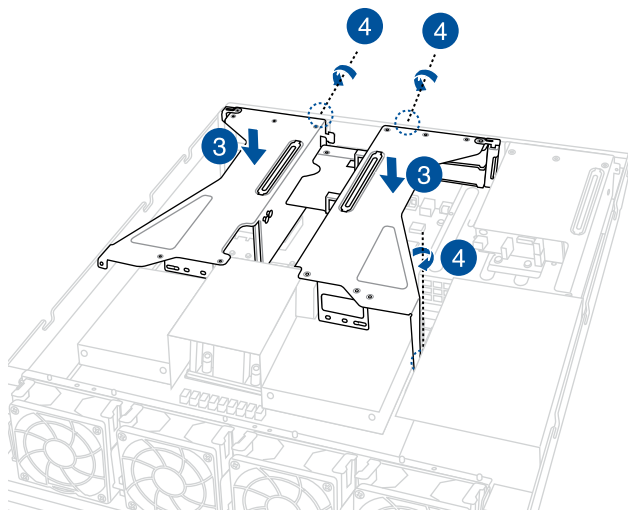
1. Replace the PSU air duct.



2. Replace the CPU and DIMM air duct.



3. Replace the left and right riser brackets, making sure both riser brackets are seated firmly in the chassis.
4. Secure both left and right riser brackets using the respective thumbscrews.



## 2.3 Central Processing Unit (CPU)

The motherboard comes with a surface mount Socket SP5 designed for the AMD EPYC™ 7004 Series.

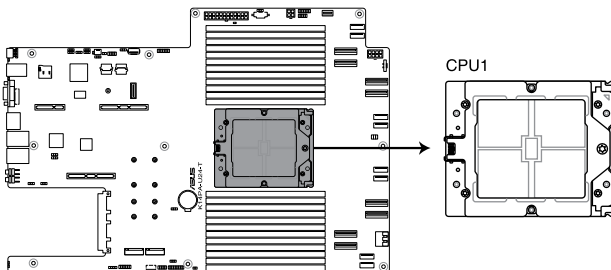


- Upon purchase of the motherboard, ensure that the PnP cap is on the socket and the socket contacts are not bent. Contact your retailer immediately if the PnP cap is missing, or if you see any damage to the PnP cap/socket contacts/motherboard components. ASUS will shoulder the cost of repair only if the damage is shipment/transit-related.
- Keep the cap after installing the motherboard. ASUS will process Return Merchandise Authorization (RMA) requests only if the motherboard comes with the cap on the Socket.
- The product warranty does not cover damage to the socket contacts resulting from incorrect CPU installation/removal, or misplacement/loss/incorrect removal of the PnP cap.

### 2.3.1 Installing the CPU and heatsink

To install the CPU and heatsink:

1. Remove the rear cover. For more information, refer to **Chassis cover**.
2. Remove the air ducts. For more information, refer to **Air ducts**.
3. Locate the CPU socket on your motherboard..

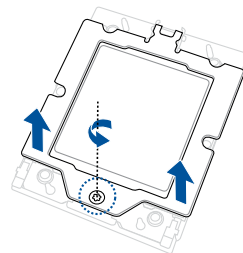


**K14PA-U24-T CPU Socket SP5 LGA 6096**

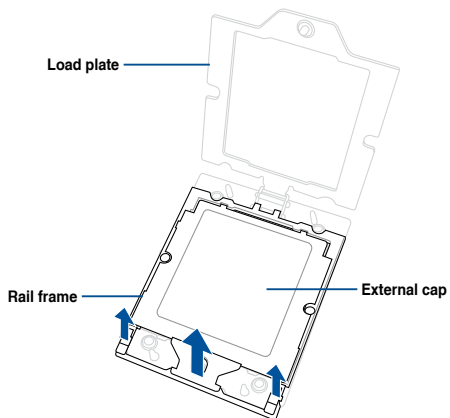
4. Loosen the screw on the socket to open the load plate.



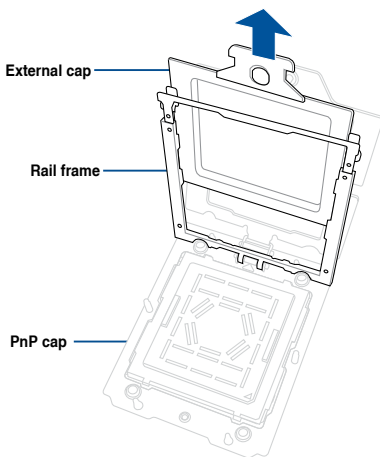
The load plate screws are T20 models. A torque value of  $13.5 \pm 1.0$  kg-cm ( $11.7 \pm 0.9$  lbf-in) is recommended.



5. Lift open the rail frame.



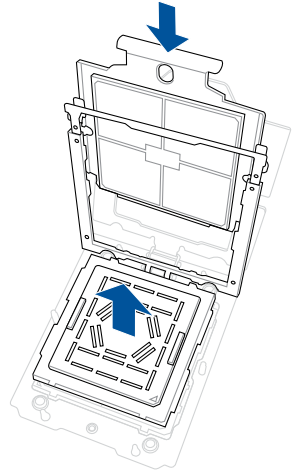
6. Slide the external cap out of the rail frame.



7. Slide the carrier frame with CPU into the rail frame, then remove the PnP cap.

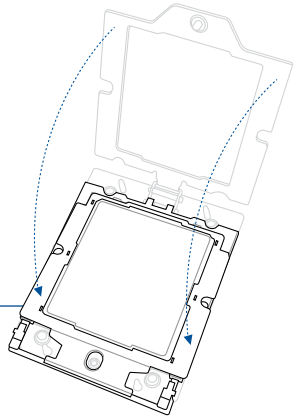


The carrier frame with CPU fits in only one correct orientation. DO NOT force the carrier frame with CPU into the rail frame.



8. Gently close the rail frame just enough to let it sit on top of the CPU socket.

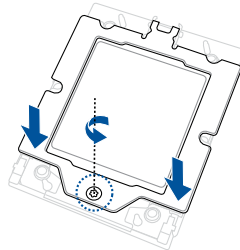
Carrier frame with CPU



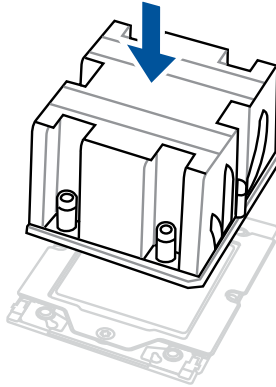
9. Close the load plate just enough to let it sit on top of the CPU, then secure the load plate using the screw on the socket.



The load plate screws are T20 models. A torque value of  $13.5 \pm 1.0$  kg-cm ( $11.7 \pm 0.9$  lbf-in) is recommended.



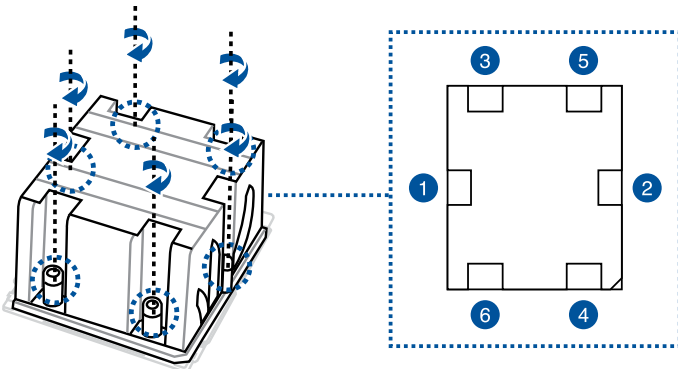
- Place the heatsink on the CPU socket and make sure the heatsink screws are aligned with the CPU socket.



- Partially tighten each of the six screws with a screwdriver in the order shown both in the illustration and on the heatsink just enough to attach the heatsink to the motherboard. When the six screws are attached, tighten them one by one in the same order to completely secure the heatsink.



The heatsink screws are T20 models. A torque value of  $13.5 \pm 1.0$  kg-cm ( $11.7 \pm 0.9$  lbf-in) is recommended.



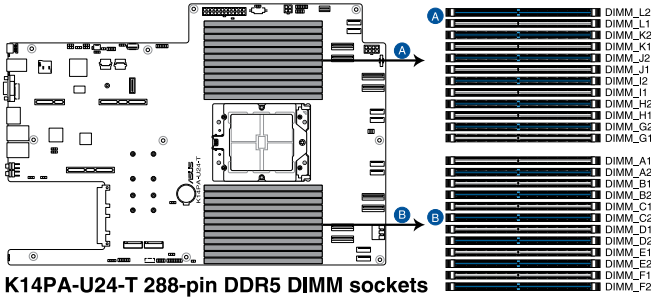
- Reinstall the air ducts. For more information, refer to **Air ducts**.



## 2.4 System memory

The motherboard comes with 24 Double Data Rate 5 (DDR5) Dual Inline Memory Modules (DIMM) sockets.

The figure illustrates the location of the DDR5 DIMM sockets:



### 2.4.1 Memory Configurations

You may install 32GB, 64GB, 128GB, or 256GB RDIMM , and 32GB, 64GB, 128GB, or 256GB 3DS RDIMM into the DIMM sockets. If you are not sure on which slots to install the DIMMS, you can use the recommended memory configuration in this section for reference.

	Memory configurations																								
	DIMM																								
	A1	A2	B1	B2	C1	C2	D1	D2	E1	E2	F1	F2	G1	G2	H1	H2	I1	I2	J1	J2	K1	K2	L1	L2	
1 DIMM	✓																								
2 DIMMs	✓													✓											
4 DIMMs	✓					✓								✓					✓						
6 DIMMs	✓		✓		✓									✓		✓		✓							
8 DIMMs	✓		✓		✓					✓				✓		✓		✓					✓		
10 DIMMs	✓		✓		✓		✓		✓	✓				✓		✓		✓		✓		✓		✓	
12 DIMMs	✓		✓		✓		✓		✓	✓				✓		✓		✓		✓		✓		✓	✓
14 DIMMs	✓	✓		✓		✓		✓	✓	✓				✓		✓		✓		✓		✓		✓	✓
16 DIMMs	✓	✓		✓	✓	✓		✓	✓	✓				✓		✓		✓		✓		✓		✓	✓
18 DIMMs	✓	✓	✓	✓	✓	✓		✓	✓	✓				✓	✓	✓	✓	✓	✓	✓		✓	✓	✓	✓
20 DIMMs	✓	✓	✓	✓	✓	✓		✓	✓	✓				✓	✓	✓	✓	✓	✓	✓		✓	✓	✓	✓
22 DIMMs	✓	✓	✓	✓	✓	✓		✓	✓	✓				✓	✓	✓	✓	✓	✓	✓		✓	✓	✓	✓
24 DIMMs	✓	✓	✓	✓	✓	✓		✓	✓	✓				✓	✓	✓	✓	✓	✓	✓		✓	✓	✓	✓



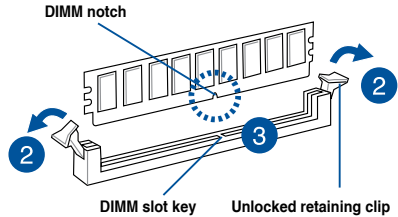
- 
- When mixing 2DPC and 1DPC, ensure that each channel's total DIMM size should be equal. The DIMM size of 2DPC should equal to that of 1DPC, for example, if 2DPC is using a 32GB memory module (32GB \* 2), then a 64GB memory module should be installed for 1DPC.
  - All memory modules for 2DPC should be the same.
  - Always install DIMMs with the same CAS latency. For optimum compatibility, it is recommended that you obtain memory modules from the same vendor.
-

## 2.4.2 Installing a DIMM



Ensure to unplug the power supply before adding or removing DIMMs or other system components. Failure to do so may cause severe damage to both the motherboard and the components.

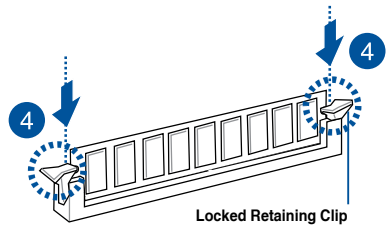
1. Unlock a DIMM socket by pressing the retaining clips outward.
2. Align a DIMM on the socket such that the notch on the DIMM matches the DIMM slot key on the socket.



A DIMM is keyed with a notch so that it fits in only one direction. DO NOT force a DIMM into a socket in the wrong direction to avoid damaging the DIMM.

3. Hold the DIMM by both of its ends then insert the DIMM vertically into the socket. Apply force to both ends of the DIMM simultaneously until the retaining clips snaps back into place.

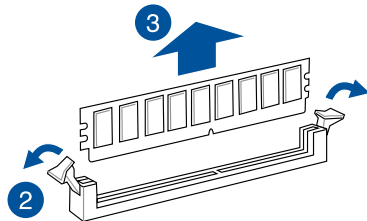
Ensure that the DIMM is sitting firmly on the DIMM slot.



Always insert the DIMM into the socket VERTICALLY to prevent DIMM notch damage.

## 2.4.3 Removing a DIMM

1. Remove the chassis cover. For more information, see the section **Chassis cover**.
2. Simultaneously press the retaining clips outward to unlock the DIMM.
3. Remove the DIMM from the socket.



Support the DIMM lightly with your fingers when pressing the retaining clips. The DIMM might get damaged when it flips out with extra force.

## 2.5 (optional) Front bezel

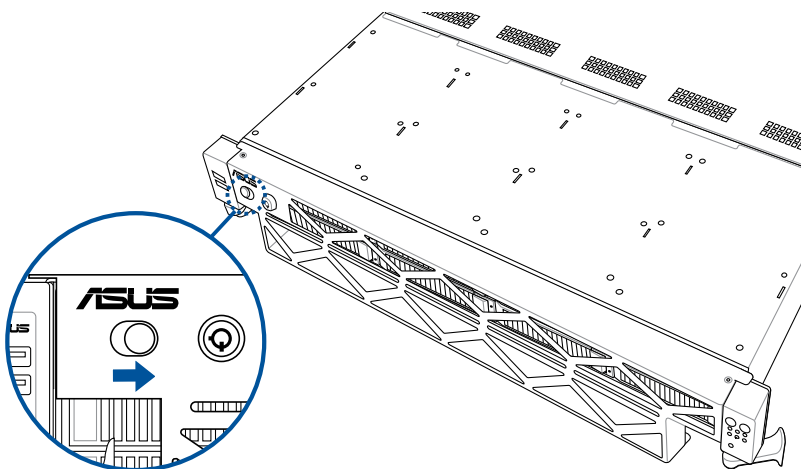
For extra security, a front bezel (purchased separately) can be installed to prevent unauthorized physical access to the hard drives and power button.



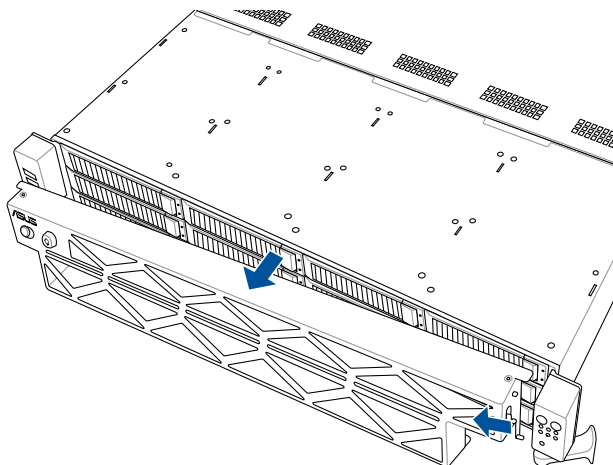
If the system will be installed in a cabinet, make sure that you reserve a gap of at least 45 mm between the rack post and the cabinet door.

### 2.5.1 Removing the front bezel

1. Push the bezel release latch of the front bezel towards the right to unlock the bezel.

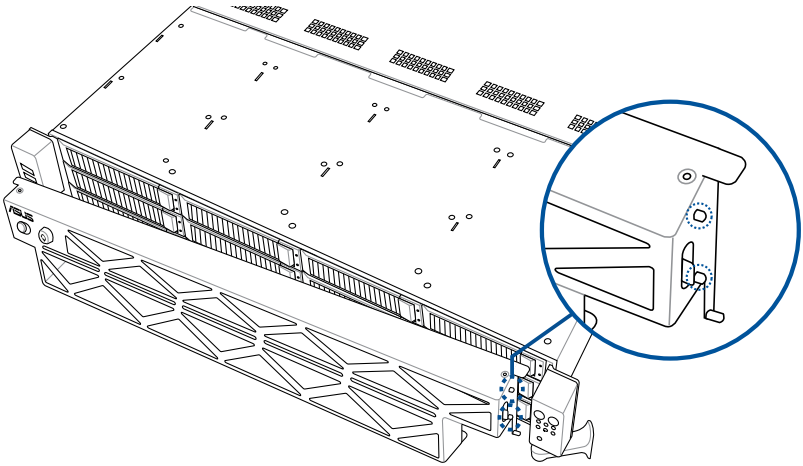


2. Slide the front bezel towards the left of the system to detach the front bezel, then remove it from the system.

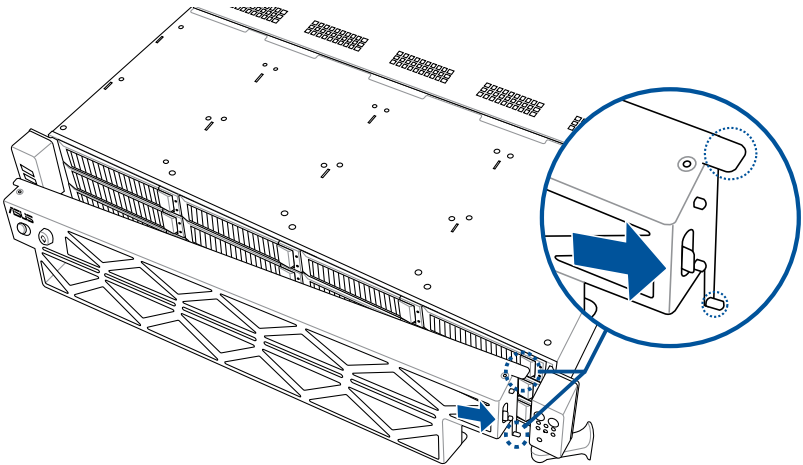


## 2.5.2 Installing the front bezel

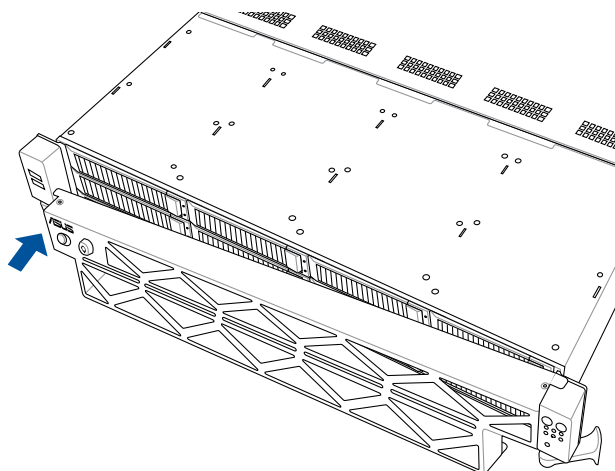
1. Align the two (2) right notches on the front bezel to the notch holes on the right front panel.



2. Attach the right side of the front bezel to the right front panel.



3. Push the left side of the front bezel towards the left USB panel.



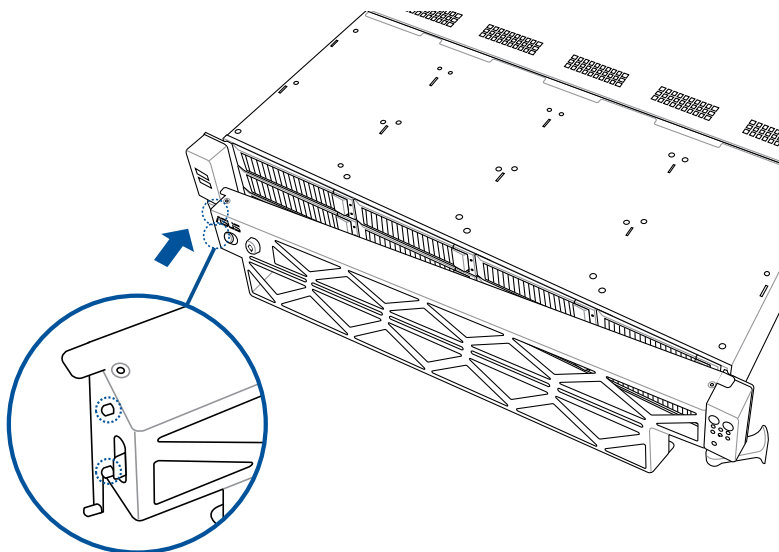
4. Make sure the two (2) left notches on the front bezel are aligned with the notch holes on the left USB panel, then push and attach the front bezel to the left USB panel.



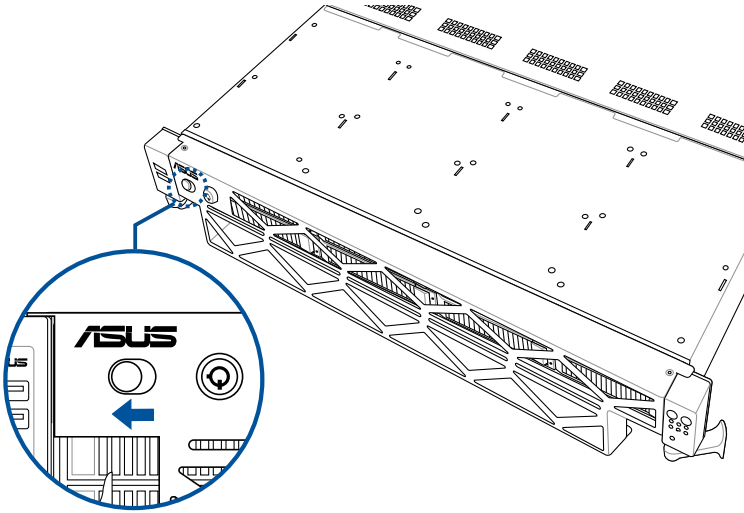
---

Make sure the bezel release latch is in the unlock state (pushed to the right) before attaching the front bezel to the left USB panel.

---

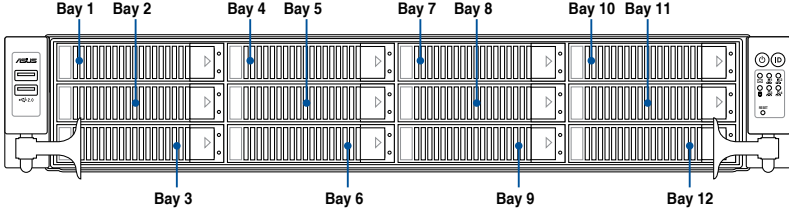


5. Push the bezel release latch of the front bezel towards the left to lock the bezel.



## 2.6 Storage devices

The system supports twelve (12) 3.5" hot-swap SATA/SAS/NVMe storage devices (up to 12 x NVMe/SATA/SAS). The storage device installed on the storage device tray connects to the motherboard SATA/SAS/NVMe ports via the SATA/SAS/NVMe backplane.

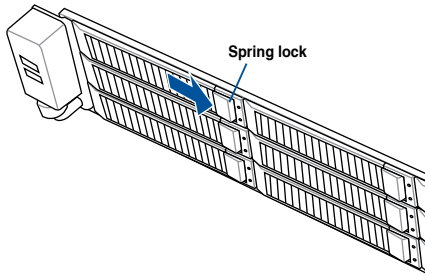


Bay 1 to bay 12 supports NVMe/SATA/SAS. SAS support requires optional HBA/RAID card.

### 2.6.1 Installing a 3.5" storage device to the front bay

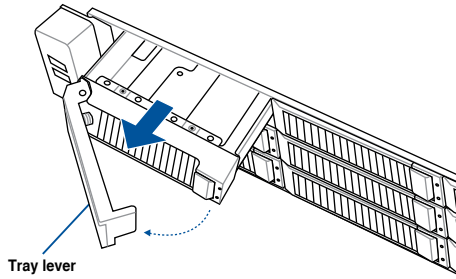
To install a 3.5" hot-swap SATA/SAS storage device to the front bays:

1. Press the spring lock to release the tray lever and to partially eject the tray from the bay.

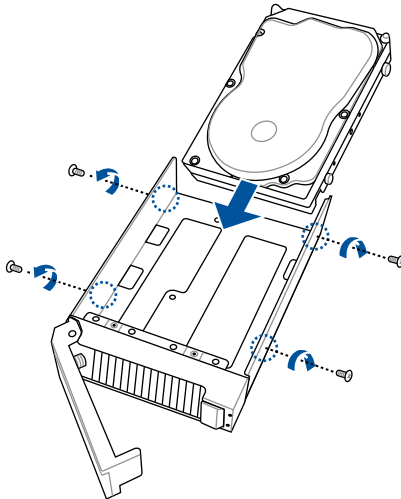




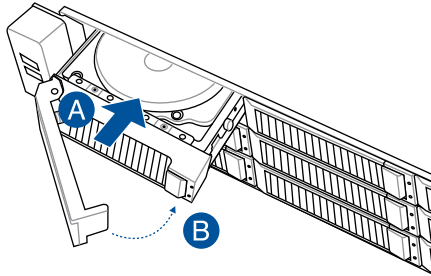
2. Firmly hold the tray lever and pull the storage device tray out of the bay.



3. Place the storage device tray on a flat and stable surface.
4. Prepare the 3.5" storage device and the bundled set of screws.
5. Place the 3.5" storage device into the tray then secure it with four screws.



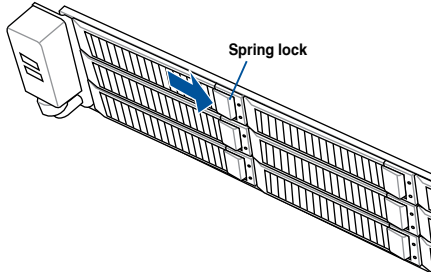
- Carefully insert the tray and push it all the way to the depth of the bay (A). Lock the secure tab to secure the drive tray in place (B).
- Repeat steps 1 to 6 to install the other 3.5" storage devices.



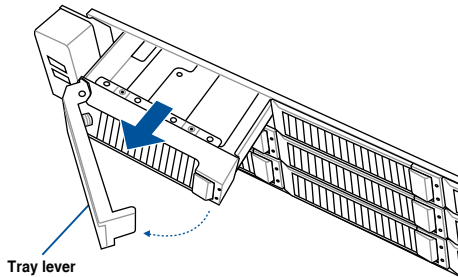
### 2.6.2 Installing a 2.5" storage device to the front bay

To install a 2.5" hot-swap NVMe/SATA/SAS storage device to the front bays:

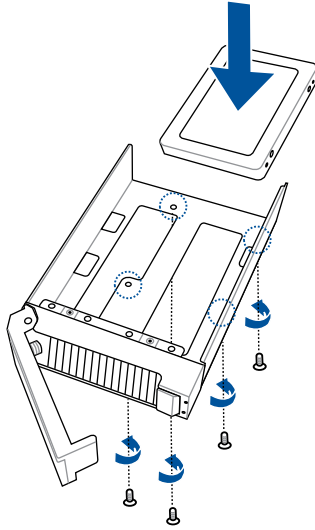
- Press the spring lock to release the tray lever and to partially eject the tray from the bay.



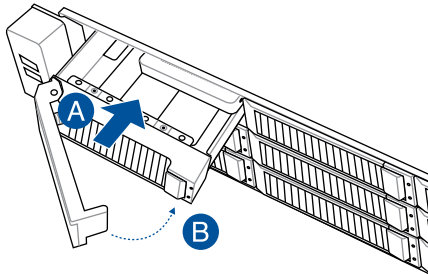
- Firmly hold the tray lever and pull the storage device tray out of the bay.



3. Place the storage device tray on a flat and stable surface.
4. Prepare the 2.5" storage device and the bundled set of screws.
5. Place the 2.5" storage device into the tray then secure it with four screws.

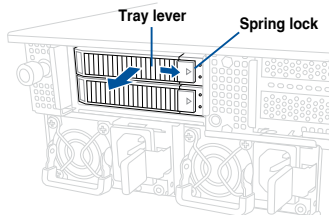


6. Carefully insert the tray and push it all the way to the depth of the bay (A). Lock the secure tab to secure the drive tray in place (B).
7. Repeat steps 1 to 6 to install the other 2.5" storage devices.

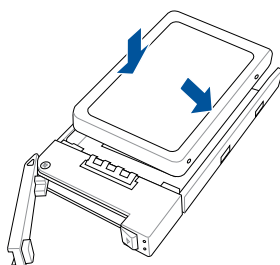


## 2.6.3 Installing a 2.5" storage device to the rear bay

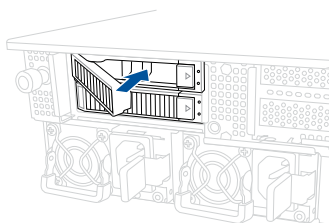
1. Press the spring lock then pull the tray lever outward to release the storage device tray. The storage device tray ejects slightly after you pull out the lever.
2. Firmly hold the tray lever and pull the storage device tray out of the bay.



3. Place the 2.5" storage device into the storage device tray and make sure it is seated firmly in the storage device tray.



4. Push the storage device tray and storage device assembly all the way into the depth of the rear storage bay until the tray lever and spring lock clicks and secures the storage device tray in place.

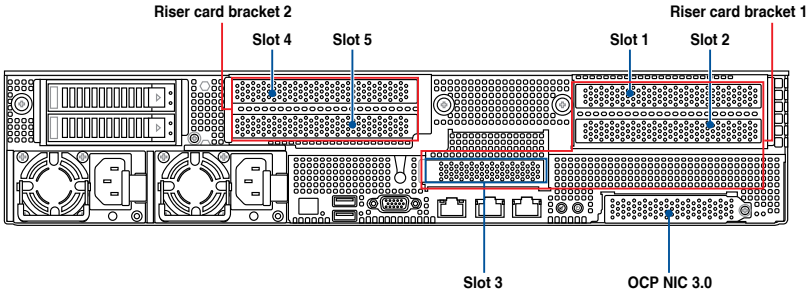


- When installed, the SATA/SAS/NVMe connector on the storage device connects to the SATA/SAS/NVMe interface on the backplane.
- The storage device tray is correctly placed when its front edge aligns with the bay edge.

5. Repeat steps 1 to 4 to install the other SATA/SAS/NVMe storage devices.

## 2.7 Expansion slot

The barebone server comes with a maximum of five (5) PCIe slots. These slots are pre-installed with two (2) riser card brackets for installing PCIe expansion cards. You need to remove these expansion card brackets if you want to install PCIe expansion cards.



### Riser card bracket 1

PCIe slot	Operation mode	
	Mode 1	Mode 2
Slot 1	x16	x8
Slot 2	-	x8
Slot 3 (Internal)	x8	x8

### Riser card bracket 2

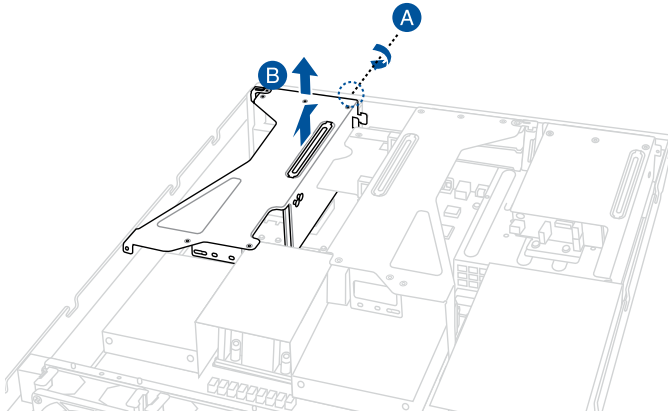
PCIe slot	Operation mode	
	Mode 1	Mode 2
Slot 5	x16	x8
Slot 4	-	x8

## 2.7.1 Installing an expansion card to the left PCIe riser card bracket

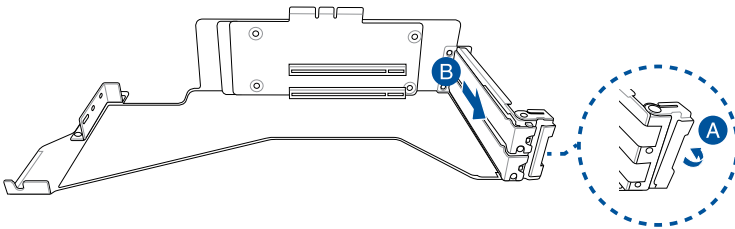
The pre-installed left PCIe riser card bracket on the GENZPCI1 slot has two PCIe x16 slots. The two PCIe x16 slots provides x16 Gen4 links.

To install PCIe x16 (Gen4 x16 link) proprietary cards, such as a graphics card to the left PCIe riser card bracket:

1. Loosen the thumbscrew (A) securing the left PCIe riser card bracket to the chassis, then lift the left PCIe riser card bracket upwards (B) out of the chassis to detach it from the PCIe x16 slot on the motherboard.



2. Prepare your expansion card and flip the left PCIe riser card bracket over.
3. Flip the metal bracket lock open (A) then slide the two metal brackets out of the left PCIe riser card bracket (B) and remove them.



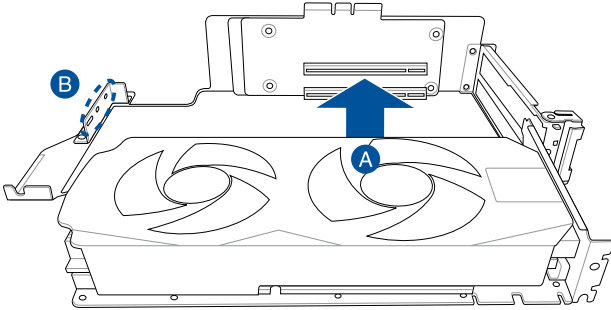
4. Install your expansion card to the PCIe x16 slot on the left PCIe riser card bracket (A), then secure your expansion card to the PCIe riser card bracket using the bundled screws (B). The illustration below is an example of a graphics card.



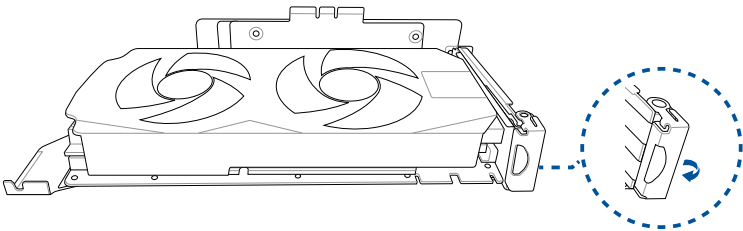
---

The amount of screws required may vary between expansion cards, only secure a bundled screw if a screw hole on the expansion card is aligned with the screw hole on the PCIe riser card.

---



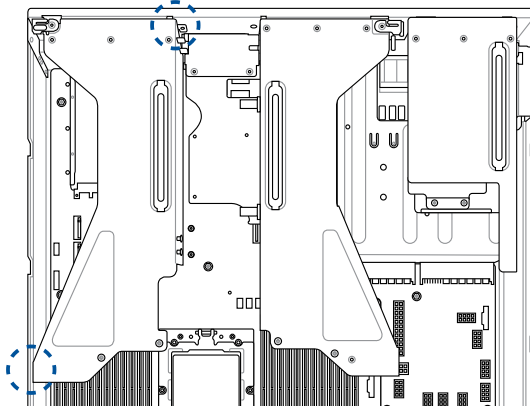
5. Once your expansion card is installed, flip the metal bracket lock back to secure the expansion card to the left PCIe riser card bracket.



- Align the left PCIe riser card bracket to the notch holes on the chassis and the **GENZPCIIE1** slot on the motherboard. Please refer to the illustration below for the locations of the notch holes on the chassis.



Ensure that no cables are below or in the way of the PCIe riser card bracket when installing it to the chassis.

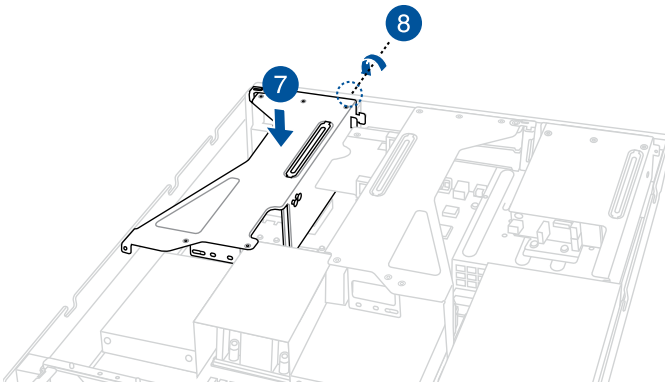


- Push the left PCIe riser card bracket down until it is seated firmly in the chassis.



Ensure that no cables are below or in the way of the PCIe riser card bracket when installing it to the chassis.

- Secure the left PCIe riser card bracket with the thumbscrew.



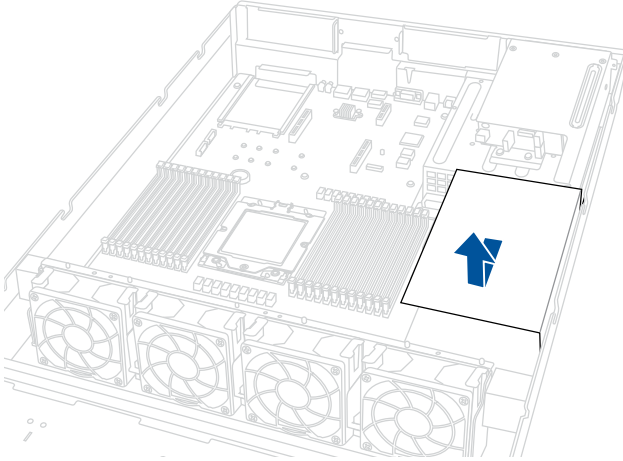


## 2.7.2 Installing an expansion card to the right PCIe riser card bracket

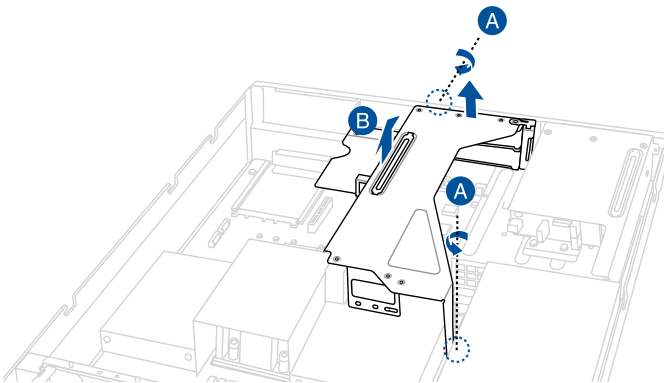
The pre-installed right PCIe riser card bracket on the GENZPCIE2 slot has three PCIe x16 slots, two PCIe x16 slots and one PCIe x8 slot. The two PCIe x16 slots provides x16 Gen4 links. The PCIe x8 slot is reserved only for a PIKE II card.

To install PCIe x16 (Gen4 x16 link) proprietary cards, such as a graphics card to the right PCIe riser card bracket:

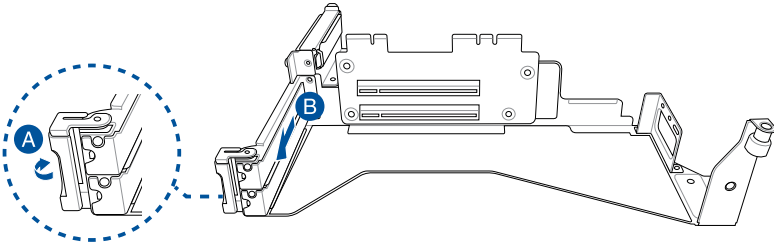
1. Lift and remove the PSU air duct.



2. Loosen the two (2) thumbscrews (A) securing the right PCIe riser card bracket to the chassis, then lift the right PCIe riser card bracket upwards (B) out of the chassis to detach it from the PCIe x16 slot on the motherboard.



3. Prepare your expansion card and flip the right PCIe riser card bracket over.
4. Flip the metal bracket lock open (A) then slide the two metal brackets out of the right PCIe riser card bracket (B) and remove them.



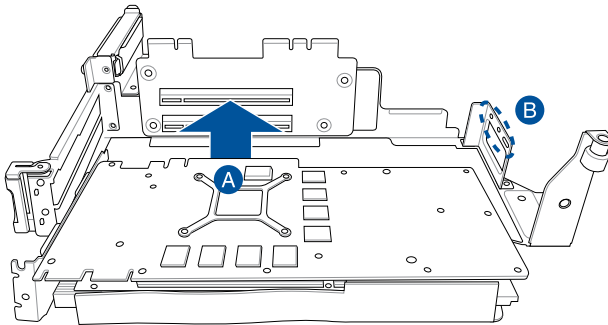
5. Install your expansion card to the PCIe x16 slot on the right PCIe riser card bracket (A), then secure your expansion card to the PCIe riser card bracket using the bundled screws (B). The illustration below is an example of a graphics card.



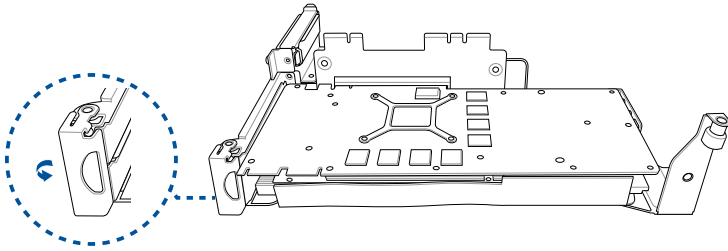
---

The amount of screws required may vary between expansion cards, only secure a bundled screw if a screw hole on the expansion card is aligned with the screw hole on the PCIe riser card.

---



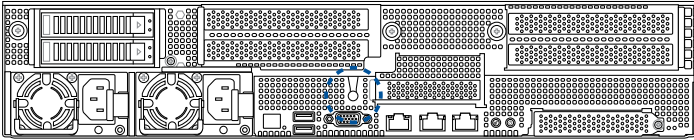
- Once your expansion card is installed, flip the metal bracket lock back to secure the expansion card to the right PCIe riser card bracket.



- Align the right PCIe riser card bracket to the notch hole on the rear of the chassis and the **GENZPCIe2** slot on the motherboard. Please refer to the illustration below for the location of the notch hole on the rear of the chassis.



Ensure that no cables are below or in the way of the PCIe riser card bracket when installing it to the chassis.

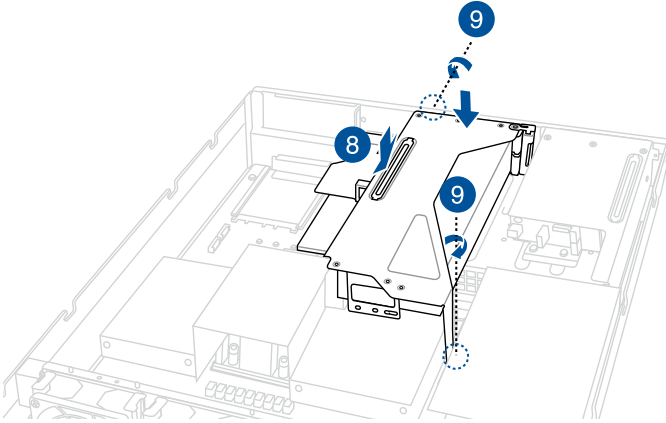


8. Push the right PCIe riser card bracket down until it is seated firmly in the chassis.

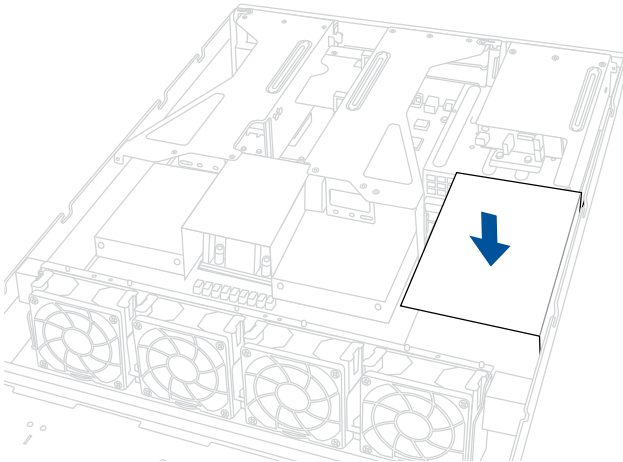


Ensure that no cables are below or in the way of the PCIe riser card bracket when installing it to the chassis.

9. Secure the right PCIe riser card bracket with the two (2) thumbscrews.



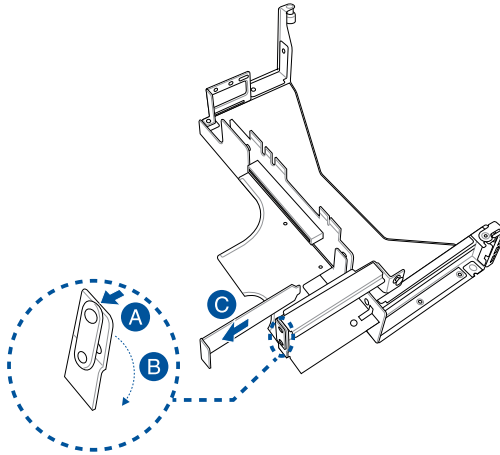
10. Replace the PSU airduct.



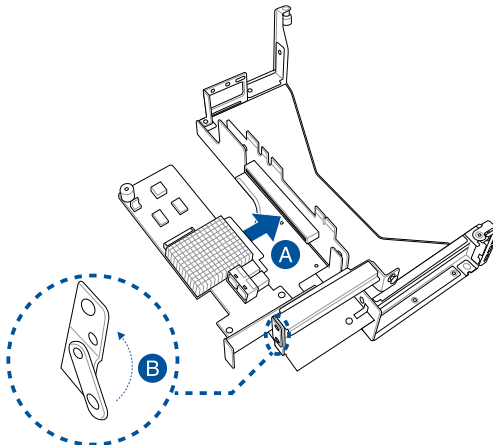
### 2.7.3 Installing an HBA/RAID card to the right PCIe riser card bracket

To install an HBA/RAID card to the right PCIe riser card:

1. Follow step 1 of the **Installing an expansion card to the right PCIe riser card bracket** section to remove the right PCIe riser card bracket.
2. Prepare your HBA/RAID card and flip the right PCIe riser card bracket over.
3. Slightly pull the lock latch outwards (A), then rotate the lock latch clockwise (B) and remove the metal bracket (C).



4. Insert the HBA/RAID card into the PCIe x8 slot on the right PCIe riser card (A), then rotate the lock latch counter-clockwise (B) until the lock latch secures the HBA/RAID card in place.

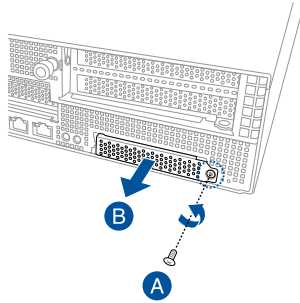


5. Connect the MiniSAS to Slimline SAS to the HBA/RAID card.
6. Follow steps 6 to 7 of the **Installing an expansion card to the right PCIe riser card bracket** section to reinstall the right PCIe riser card bracket to the system.

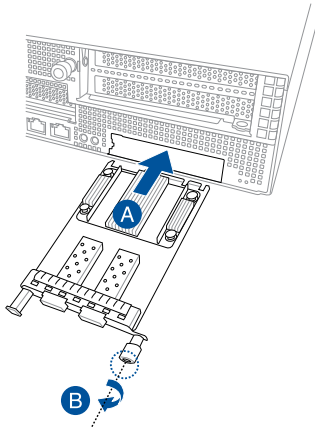
## 2.7.4 Installing an OCP 3.0 card to the OCP 3.0 slot

To install the OCP 3.0 card to the server system:

1. Remove the screw securing the metal bracket of the OCP 3.0 slot (A), then remove the metal bracket (B).



2. Insert and push the OCP 3.0 card all the way into the OCP 3.0 slot (A), then secure the OCP 3.0 card using the thumbscrew (B).



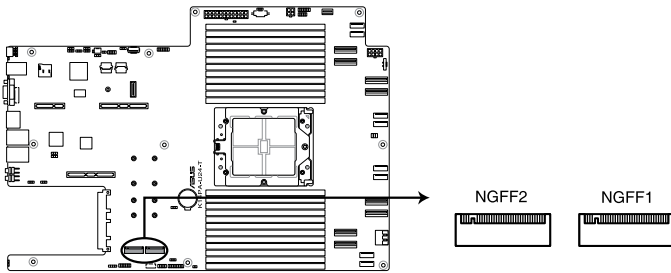
## 2.7.5 Installing an M.2 (NGFF) card

You may install an M.2 card (supports up to 22110) to the onboard M.2 (NGFF) slot on the motherboard.



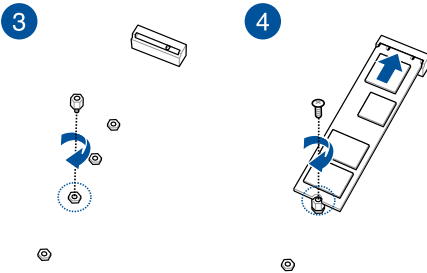
Both NGFF1 and NGFF2 slots support x4 PCIe link. If one of NGFF1 or NGFF2 slots are occupied, both slots will support SATA link.

1. Follow step 1 of the **Installing an expansion card to the left PCIe riser card bracket** section to remove the left PCIe riser card bracket.
2. Locate the M.2 connector (NGFF1 or NGFF2) on the motherboard.



**K14PA-U24-T NGFF connectors**

3. Select an appropriate screw hole on the motherboard for your M.2 card, then secure the bundled stand to the motherboard.
4. Insert the M.2 into the M.2 (NGFF) slot, then secure it using the bundled screw.



5. Follow steps 6 to 8 in **Installing an expansion card to the left PCIe riser card bracket** section to replace the left PCIe riser card bracket.



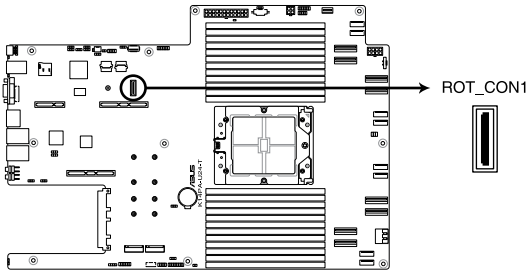
## 2.7.6 (optional) Installing the PFR module

The optional PFR module will come pre-installed on your system and is connected to the PFR module connector on your motherboard.



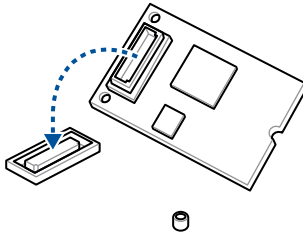
- The illustration below is for reference only.
- For more information or assistance, please refer to [www.asus.com](http://www.asus.com).

1. Locate the PFR module connector on your motherboard.

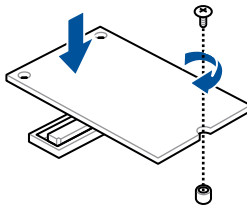


**K14PA-U24-T ROT\_CON1 connector**

2. Align and connect the PFR module to the PFR module connector.



3. Push the PFR module down so that it is seated securely on the PFR module connector, then secure it using a screw.



## 2.7.7 Configuring an expansion card

After installing the expansion card, configure it by adjusting the software settings.

1. Turn on the system and change the necessary BIOS settings, if any. Refer to the **BIOS Setup** chapter for more information on BIOS setup.
2. Assign an IRQ to the card. Refer to the following tables.
3. Install the software drivers for the expansion card.

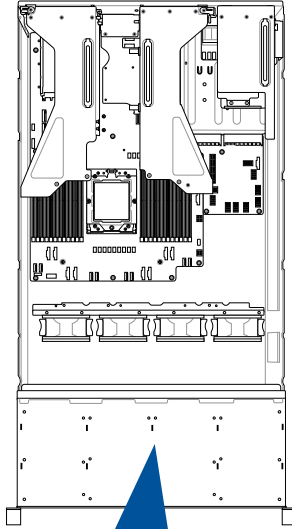
### Standard Interrupt assignments

IRQ	Priority	Standard function
0	1	System Timer
1	2	Keyboard Controller
2	-	Programmable Interrupt
3*	11	Communications Port (COM2)
4*	12	Communications Port (COM1)
5*	13	--
6	14	Floppy Disk Controller
7*	15	--
8	3	System CMOS/Real Time Clock
9*	4	ACPI Mode when used
10*	5	IRQ Holder for PCI Steering
11*	6	IRQ Holder for PCI Steering
12*	7	PS/2 Compatible Mouse Port
13	8	Numeric Data Processor
14*	9	Primary IDE Channel
15*	10	Secondary IDE Channel

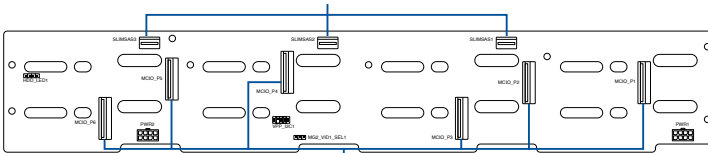
\* These IRQs are usually available for ISA or PCI devices.



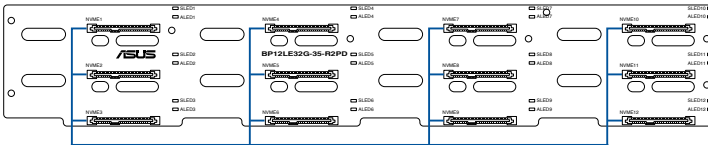
## 2.9 Backplane cabling



Connects to HBA/RAID card or to the MCI07-8 connectors on the motherboard for SAS/SATA support on Bay 1 to Bay 12.



Connects to MCI01-6 connectors on the motherboard for NVMe support on Bay 1 to Bay 12.



Connects to NVMe/SAS/SATA storage devices (SAS support requires an optional HBA/RAID card)

## 2.10 Storage device configuration and cabling

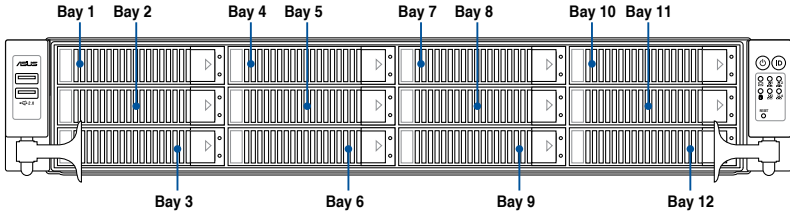
This section illustrates some storage configurations that is recommended with your server system. Before you start installing or removing the storage device cables, ensure that you have installed the correct storage devices into the supported bays.



---

Refer to section **Storage Devices** for details on how to install storage devices.

---



---

Bay 1 to bay 12 supports NVMe/SATA/SAS. SAS support requires optional HBA/RAID card.

---

## 2.10.1 12 x NVMe/SATA/SAS storage device configuration and cabling

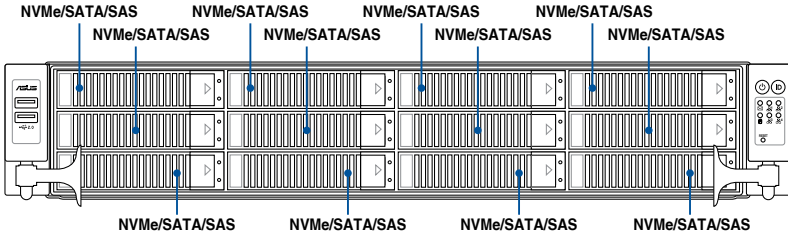


The illustrations in this section are for reference only and may vary between models.

1. Install the storage devices into the supported bays.



Refer to section **Storage Devices** for details on how to install storage devices.



2. Connect the GENZPCIIE PCIe to MCIO PCIe cables to the motherboard and the backplane.

Backplane connector	Cable	Connect to
MCIO_P1	MCIO to MCIO	MCIO1 on the motherboard
MCIO_P2	MCIO to MCIO	MCIO2 on the motherboard
MCIO_P3	MCIO to MCIO	MCIO3 on the motherboard
MCIO_P4	MCIO to MCIO	MCIO4 on the motherboard
MCIO_P5	MCIO to MCIO	MCIO5 on the motherboard
MCIO_P6	MCIO to MCIO	MCIO6 on the motherboard
SLIMSAS1	MCIO to SLIMSAS	MCIO7 on the motherboard
SLIMSAS2	MCIO to SLIMSAS	MCIO7 on the motherboard
SLIMSAS3	MCIO to SLIMSAS	MCIO8 on the motherboard

## 2.11 Motherboard

### 2.11.1 Removing the motherboard

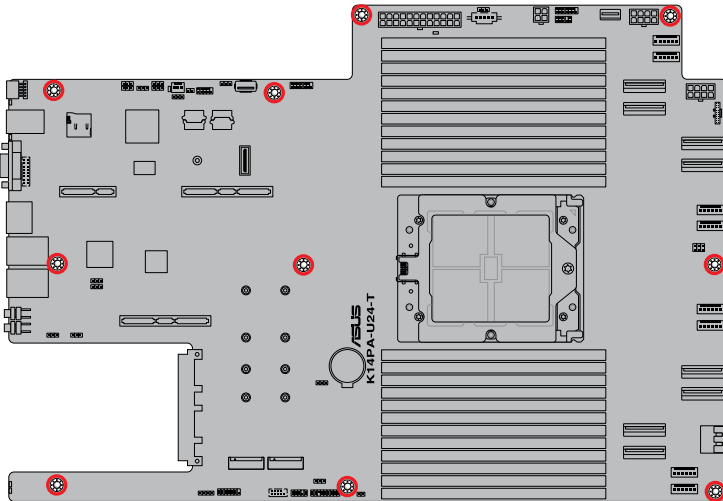
To remove the system motherboard:

1. Disconnect the cables from the motherboard and remove any installed components on the motherboard.



Take a photo or make a note of which components are removed, which cables are disconnected, and which connectors the cables were connected to.

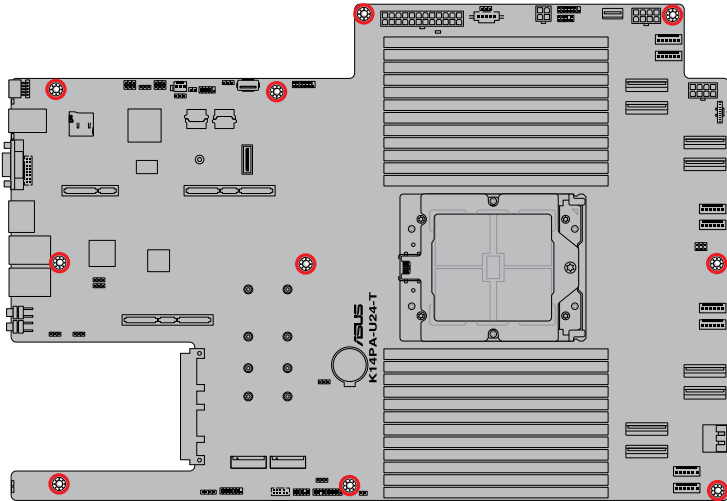
2. Remove the screws, then remove the motherboard.



## 2.11.2 Installing the motherboard

To install the system motherboard:

1. Place the motherboard into the chassis and ensure the screw holes on the motherboard are aligned to the screw holes in the chassis, then secure the motherboard to the chassis using the screws removed previously.



2. Reinstall removed components and reconnect the cables to the motherboard.



## 2.12 Removable/optional components

The following sections describe the installation or removal instructions for the following removable/optional components:

1. System fans
2. Redundant power supply module
3. CMOS battery



---

Ensure that the system is turned off before removing any components.

---



---

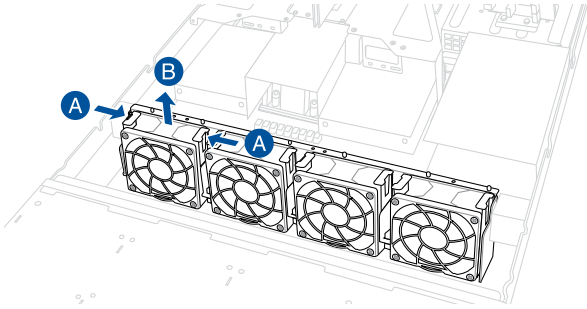
You may need to remove previously installed component or factory shipped components when installing optional components.

---

### 2.12.1 System fans

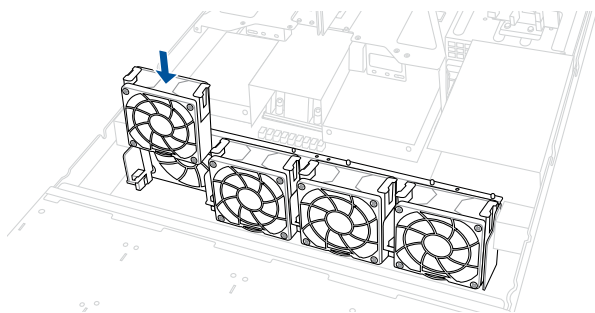
To remove the system fans:

1. Locate the fan you want to replace.
2. Press the retaining clips inwards (A) and lift upward (B) to remove the fan.



To reinstall the system fans:

1. Prepare the fan with the same model and size.
2. Install the fan to the fan cage.



---

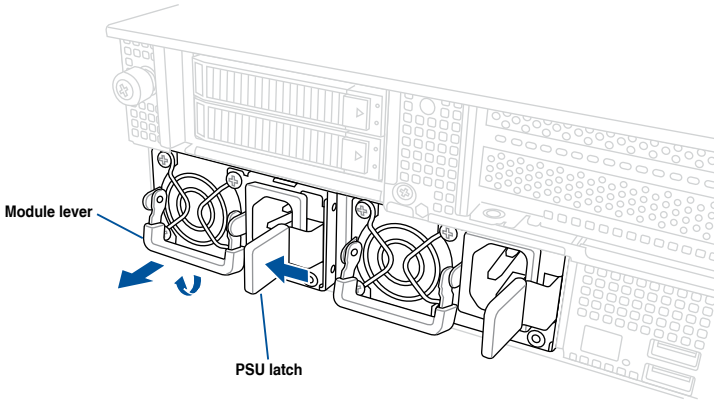
The fan can only be installed in one direction. If the fan cannot be installed, turn it around and try again.

---

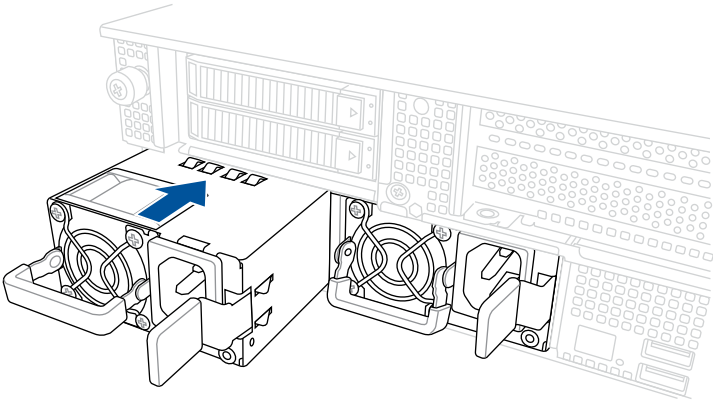
## 2.12.2 Redundant power supply module

To replace a failed redundant power supply module:

1. Lift up the power supply module lever.
2. Hold the power supply module lever and press the PSU latch, then pull the power supply module out of the system chassis.



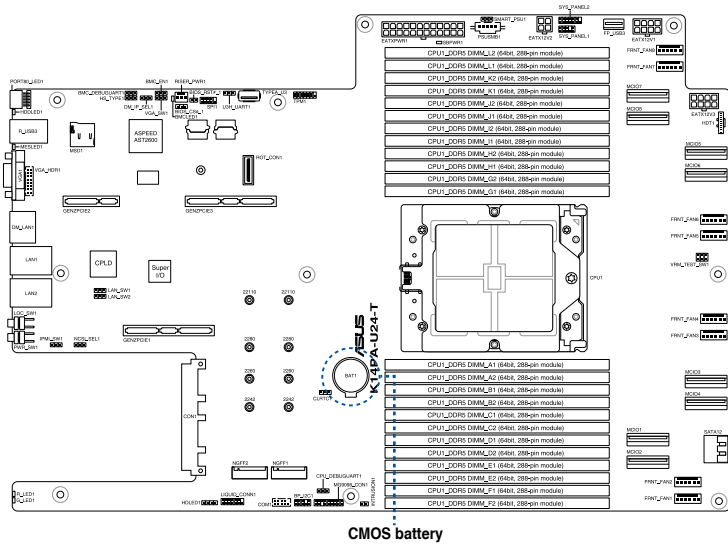
3. Prepare the replacement power supply module.
4. Insert the replacement power supply module into the chassis then push it inwards until the latch locks into place.



## 2.12.3 CMOS battery

To replace a CMOS battery:

1. Locate and remove the CMOS battery.



2. Place the replacement CMOS battery into the battery compartment.

## 2.13 Rail Kit Options

This server system supports the rail kit options listed below. For more information on rail kit installation, refer to corresponding documentation on the ASUS support site or on the official product site for this server system.



- 
- We strongly recommend that at least two able-bodied persons perform the installation of the rail kit.
  - We recommend the use of an appropriate lifting tool or device, if necessary.
- 

- Friction rail kit
- 1.5U full extension ball bearing rail kit

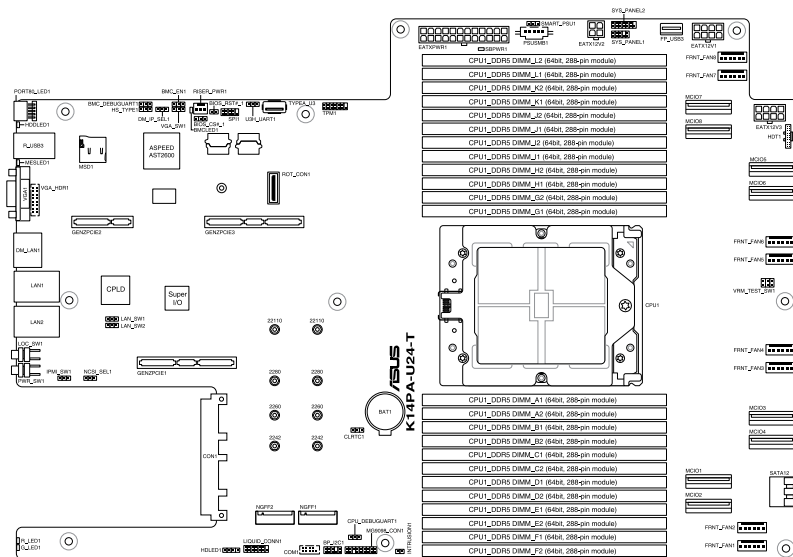


# Motherboard Information

# 3

This chapter includes the motherboard layout and brief descriptions of the jumpers and internal connectors.

# 3.1 Motherboard layout





## Layout contents

Central Processing Unit (CPU)	Page
1. LGA 6096 sockets (CPU1)	3-5

Dual Inline Memory Module (DIMM)	Page
1. DDR5 sockets	3-5

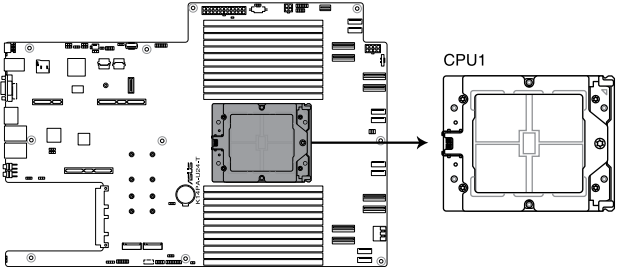
Jumpers	Page
1. Clear RTC RAM (3-pin CLRTC1)	3-6
2. VGA Controller setting (3-pin VGA_SW1)	3-7
3. Baseboard Management Controller setting (3-pin BMC_EN1)	3-7
4. DMLAN setting (3-pin DM_IP_SEL1)	3-8
5. IPMI SW setting (3-pin IPMI_SW1)	3-8
6. Smart Ride Through (SmaRT) setting (3-pin SMART_PSU1)	3-9
7. LAN Controller settings (3-pin LAN_SW1-2)	3-9
8. Heatsink Type setting (3-pin HS_TYPE1)	3-10
9. NCSI Device setting (3-pin NCSI_SEL1)	3-10

Onboard LEDs	Page
1. Standby Power LED (SBPWR1)	3-11
2. Baseboard Management Controller LED (BMCLED1)	3-11
3. Message LED (MESLED1)	3-12
4. Storage Device Activity LED (HDDLED1)	3-12
5. OCP 3.0 Operation Normal LED (G_LED1)	3-13
6. OCP 3.0 Power Fail LED (R_LED1)	3-13

Internal connectors	Page
1. MCIOPCIE connectors (MCIOPCIE1-8)	3-14
2. SATA connector (SATA12)	3-14
3. USB 3.2 Gen 1 connector (FP_USB3; TYPEA_U3)	3-15
4. Chassis Intrusion (2-pin INTRUSION1)	3-15
5. Serial Port connector (10-1 pin COM1)	3-16
6. System Fan connectors (6-pin FRNT_FAN1-8)	3-16
7. TPM connector (14-1 pin TPM1)	3-17
8. M.2 (NGFF) connector (NGFF1-2)	3-17
9. Power connectors (24-pin EATXPWR; 8-pin EATX12V1; 4-pin EATX12V2)	3-18
10. VGA connector (16-pin VGA_HDR1)	3-18
11. microSD Card slot (MSD1)	3-19
12. Storage Device Activity LED connector (4-pin HDLED1)	3-19
13. System Panel connector (10-1 pin SYS_PANEL1; 14-1 pin SYS_PANEL2)	3-20
14. BMC Debug UART connector (3-pin BMC_DEBUGUART1)	3-21
15. Liquid connector (14-1 pin LIQUID_CONN1)	3-21
16. Power Supply SMBus connector (5-pin PSUSMB1)	3-22
17. Platform Firmware Resilience (PFR) module connector (ROT_CON)	3-22
18. Front BP SMBus Protocol connector (10-1 pin BP_I2C1)	3-23
19. Internal BP SMBus Protocol connector (18-1 MG9098_CON1)	3-23

### 3.2 Central Processing Unit (CPU)

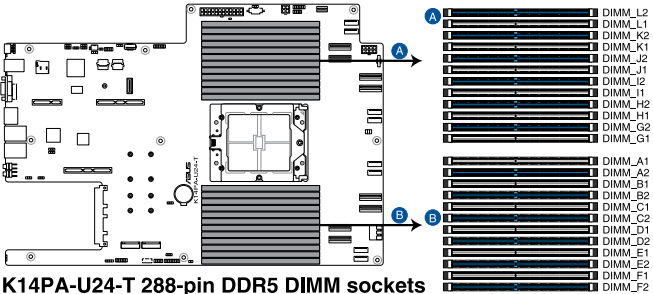
The motherboard comes with a surface mount SP5 socket designed for the AMD EPYC™ 7004 Series Family processors.



**K14PA-U24-T CPU Socket SP5 LGA 6096**

### 3.3 Dual Inline Memory Module (DIMM)

The motherboard comes with 24 Double Data Rate 5 (DDR5) Dual Inline Memory Modules (DIMM) sockets.



**K14PA-U24-T 288-pin DDR5 DIMM sockets**

# 3.4 Jumpers

## 1. Clear RTC RAM (3-pin CLRTC1)

This jumper allows you to clear the Real Time Clock (RTC) RAM in CMOS. You can clear the CMOS memory of date, time, and system setup parameters by erasing the CMOS RTC RAM data. The onboard button cell battery powers the RAM data in CMOS, which include system setup information such as system passwords.

To erase the RTC RAM:

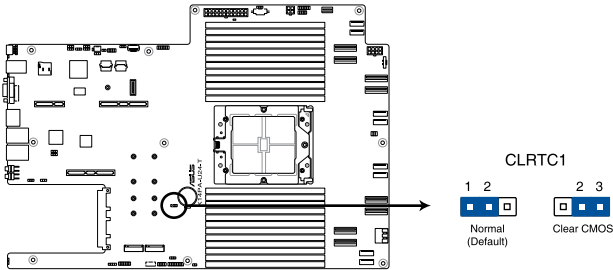
1. Turn OFF the computer and unplug the power cord.
2. Move the jumper cap from pins 1–2 (default) to pins 2–3. Keep the cap on pins 2–3 for about 5–10 seconds, then move the cap back to pins 1–2.
3. Plug the power cord and turn ON the computer.
4. Hold down the <Del> key during the boot process and enter BIOS setup to re-enter data.



Except when clearing the RTC RAM, never remove the cap on CLRTC jumper default position. Removing the cap will cause system boot failure!



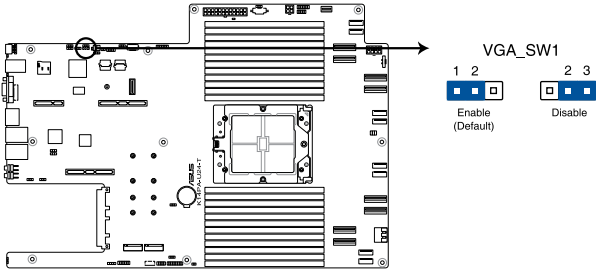
If the steps above do not help, remove the onboard battery and move the jumper again to clear the CMOS RTC RAM data. After the CMOS clearance, reinstall the battery.



**K14PA-U24-T Clear RTC RAM**

**2. VGA controller setting (3-pin VGA\_SW1)**

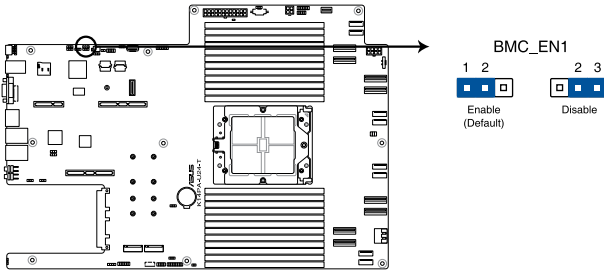
This jumper allows you to enable or disable the onboard VGA controller. Set to pins 1–2 to activate the VGA feature.



**K14PA-U24-T VGA setting**

**3. Baseboard Management Controller setting (3-pin BMC\_EN1)**

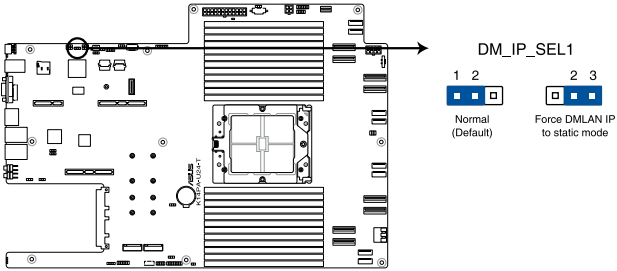
This jumper allows you to enable (default) or disable on-board BMC. Ensure to set this BMC jumper to enabled to avoid system fan control and hardware monitor error.



**K14PA-U24-T BMC setting**

**4. DMLAN setting (3-pin DM\_IP\_SEL1)**

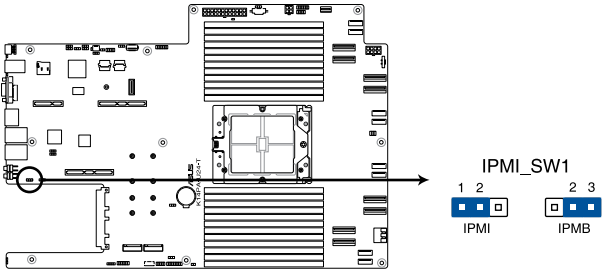
This jumper allows you to select the DMLAN setting. Set to pins 2-3 to force the DMLAN IP to static mode (IP=10.10.10.10, submask=255.255.255.0).



**K14PA-U24-T DM\_IP\_SEL1 setting**

**5. IPMI SW setting (3-pin IPMI\_SW1)**

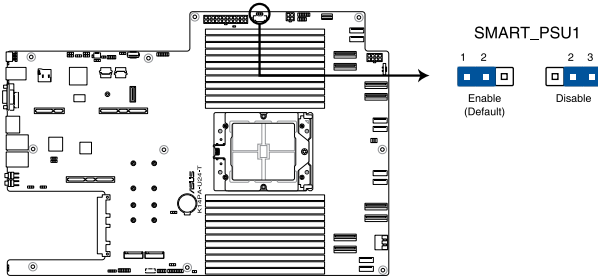
This jumper allows you to select which protocol in the GPU sensor to function.



**K14PA-U24-T IPMI\_SW1 setting**

**6. Smart Ride Through (SmaRT) setting (3-pin SMART\_PSU1)**

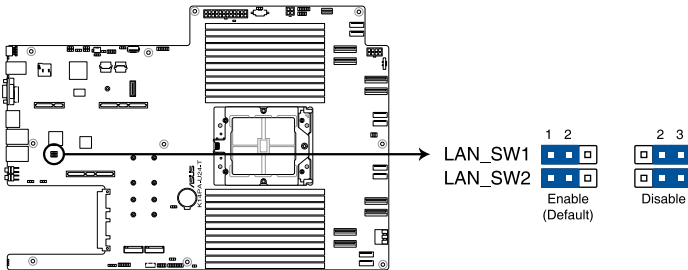
This jumper allows you to enable or disable the Smart Ride Through (SmaRT) function. This feature is enabled by default. Set to pins 2-3 to disable it. When enabled, SmaRT allows uninterrupted operation of the system during an AC loss event.



**K14PA-U24-T Smart Ride Through setting**

**7. LAN Controller settings (3-pin LAN\_SW1-2)**

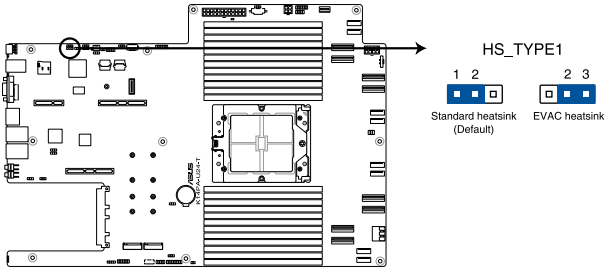
These jumpers allow you to enable or disable the onboard LAN\_SW1 or LAN\_SW2. Set to pins 1-2 to activate the Gigabit LAN feature.



**K14PA-U24-T LAN setting**

**8. Heatsink Type setting (3-pin HS\_TYPE1)**

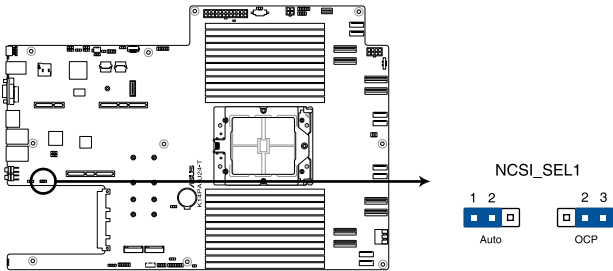
This jumper should be set according to the type of heatsink installed.



**K14PA-U24-T HS\_TYPE1 setting**

**9. NCSI Device setting (3-pin NCSI\_SEL1)**

This jumper allows you to select the NCSI device.



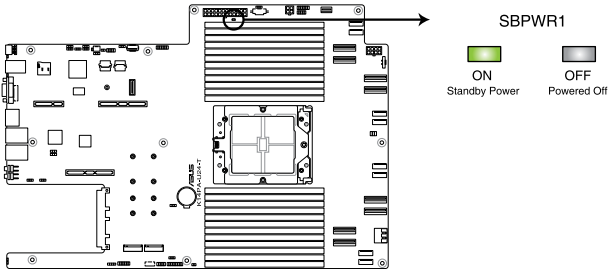
**K14PA-U24-T NCSI\_SEL1 setting**



## 3.5 Internal LEDs

### 1. Standby Power LED (SBPWR1)

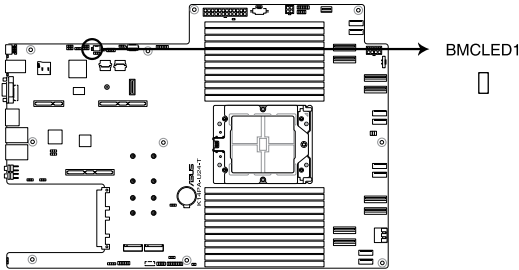
The motherboard comes with a standby power LED. The green LED lights up to indicate that the system is ON, in sleep mode, or in soft-off mode. This is a reminder that you should shut down the system and unplug the power cable before removing or plugging in any motherboard component. The illustration below shows the location of the onboard LED.



**K14PA-U24-T Standby Power LED**

### 2. Baseboard Management Controller LED (BMCLED1)

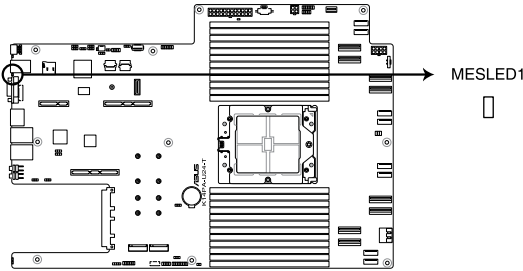
The BMC LED lights up to indicate that the on-board BMC is functional.



**K14PA-U24-T BMCLED1**

**3. Message LED (MESLED1)**

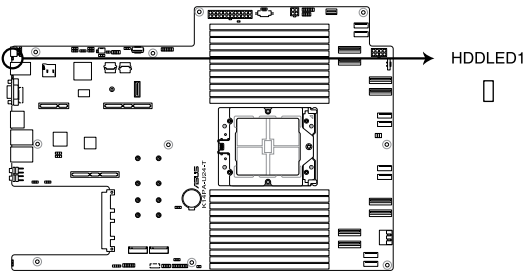
This onboard LED lights up to red when there is a BMC event log is generated.



**K14PA-U24-T MESLED1**

**4. Storage Device Activity LED (HDDLED1)**

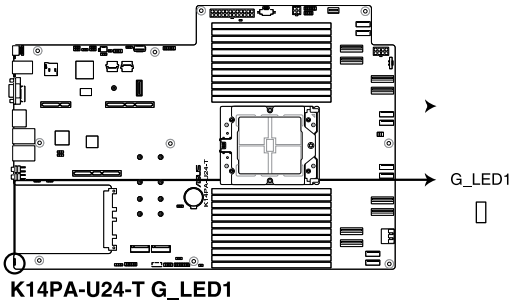
This LED is for the storage devices connected to the onboard SATA, or SATA/SAS add-on card. The read or write activities of any device connected to the onboard SATA, or SATA/SAS add-on card causes the rear panel LED to light up.



**K14PA-U24-T HDDLED1**

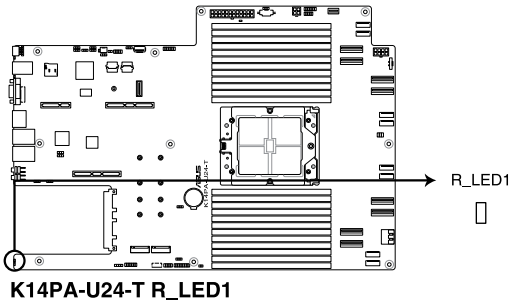
**5. OCP 3.0 Operation Normal LED (G\_LED1)**

The OCP 3.0 operation normal LED lights up to indicate that OCP 3.0 is functional.



**6. OCP 3.0 Power Fail LED (R\_LED1)**

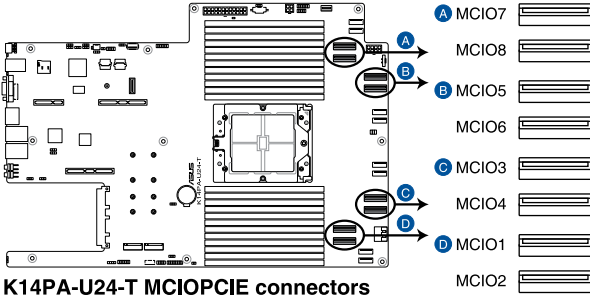
The OCP 3.0 power fail LED lights up to indicate that OCP 3.0 has encountered a power fail error.



### 3.6 Internal connectors

#### 1. MCIOPCIE connectors (MCI01-8)

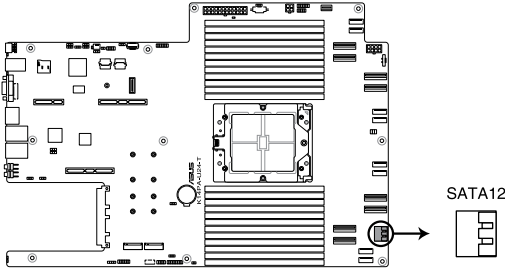
Connects the PCIe or SATA signal to the riser card or the backplane.



MCI01-6 supports PCIe signals, and MCI07-8 supports SATA signals only

#### 2. SATA connector (SATA12)

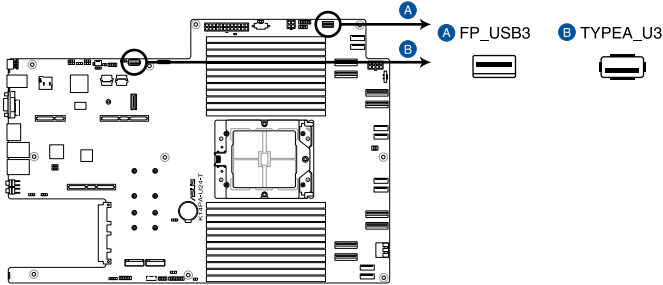
Connects SATA signal to backplane to support SATA drives.



**K14PA-U24-T SATA connectors**

**3. USB 3.2 Gen 1 connector (FP\_USB3; TYPEA\_U3)**

This connector allows you to connect a USB 3.2 Gen 1 module for additional USB 3.2 Gen 1 ports on the front panel. The USB 3.2 Gen 1 connector provides data transfer speeds of up to 10 Gb/s. The Type-A connector allows you to directly connect a USB flash drive.



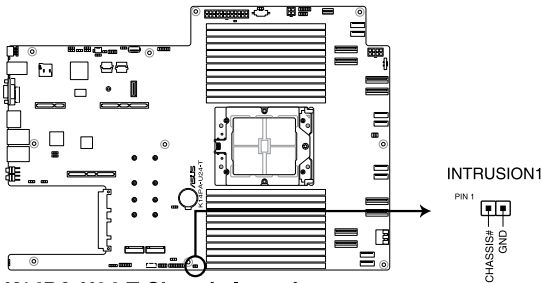
**K14PA-U24-T USB 3.2 Gen 1 connectors**



The USB port module is purchased separately.

**4. Chassis Intrusion (2-pin INTRUSION1)**

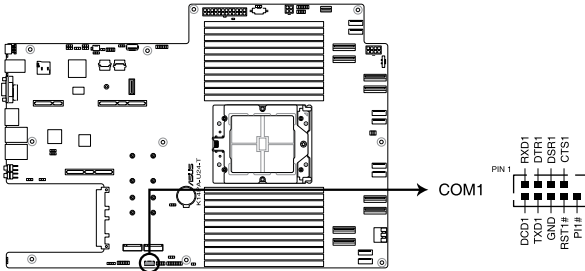
These leads are for the intrusion detection feature for chassis with intrusion sensor or microswitch. When you remove any chassis component, the sensor triggers and sends a high level signal to these leads to record a chassis intrusion event. The default setting is to short the CHASSIS# and the GND pin by a jumper cap to disable the function.



**K14PA-U24-T Chassis Intrusion connector**

**5. Serial Port connector (10-1 pin COM1)**

This connector is for a serial (COM) port. Connect the serial port module cable to this connector, then install the module to a slot opening at the back of the system chassis.



**K14PA-U24-T Serial port connector**



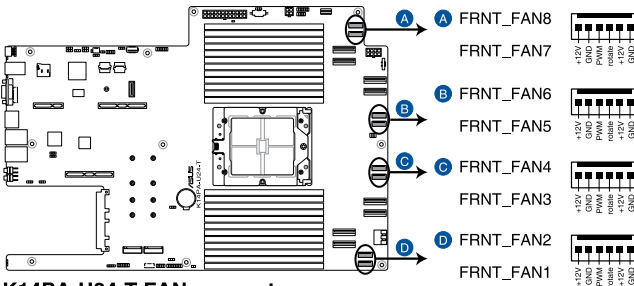
The COM module is purchased separately.

**6. System Fan connectors (6-pin FRNT\_FAN1-8)**

The fan connectors support cooling fans of 0.8A–1.0A (12 W max.) or a total of 6.4 A–8.0 A (96 W max.) at +12V. Connect the fan cables to the fan connectors on the motherboard, making sure that the black wire of each cable matches the ground pin of the connector.



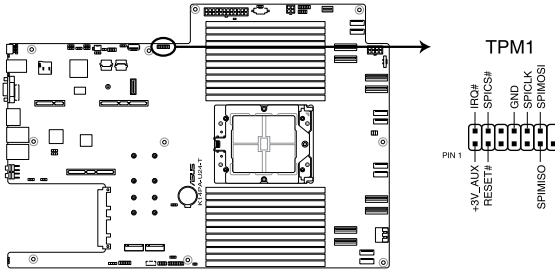
DO NOT forget to connect the fan cables to the fan connectors. Insufficient air flow inside the system may damage the motherboard components. These are not jumpers! DO NOT place jumper caps on the fan connectors!



**K14PA-U24-T FAN connectors**

**7. TPM connector (14-1 pin TPM1)**

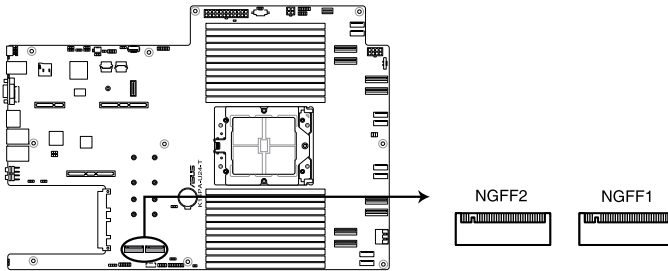
This connector supports a Trusted Platform Module (TPM) system, which can securely store keys, digital certificates, passwords, and data. A TPM system also helps enhance network security, protects digital identities, and ensures platform integrity.



**K14PA-U24-T TPM connectors**

**8. M.2 (NGFF) connector (NGFF1-2)**

These connectors allow you to install M.2 devices.



**K14PA-U24-T NGFF connectors**

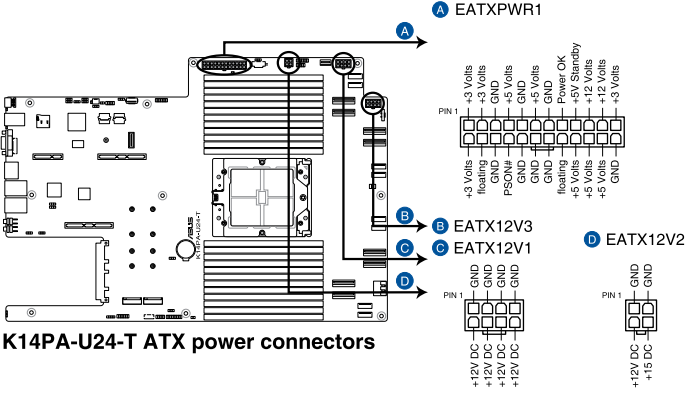


This connector supports type 2242 / 2260 / 2280 / 22110 devices on both PCIe and SATA interface.



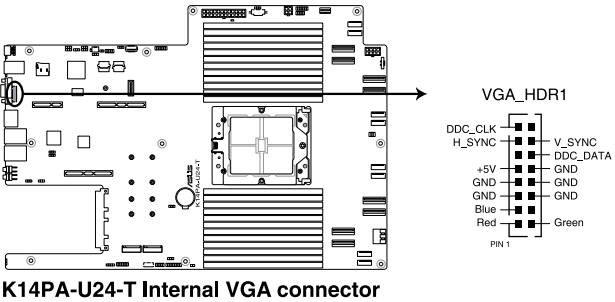
The M.2 (NGFF) device is purchased separately

9. **Power connectors (24-pin EATXPWR; 8-pin EATX12V1; 4-pin EATX12V2)**  
 These connectors are for the power supply plugs that connects to the power board. The power supply plugs are designed to fit these connectors in only one orientation. Find the proper orientation and push down firmly until the connectors completely fit.



DO NOT connect VGA cards to these connectors. Doing so may cause system boot errors and permanent damage to your motherboard or device.

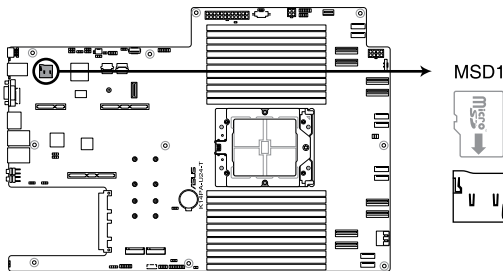
10. **VGA connector (16-pin VGA\_HDR1)**  
 This connector outputs a VGA signal to a connected display device.





### 11. microSD Card slot (MSD1)

Your motherboard supports SD Memory Card v2.00 (SDHC) / v3.00 (SDXC).



**K14PA-U24-T MicroSD card slot**



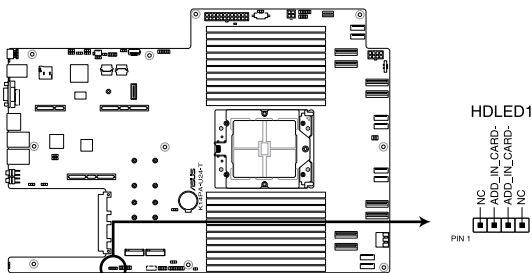
Disconnect all power (including redundant PSUs) from the existing system before you add or remove a Memory Card, then reboot the system to access the Memory Card.



Some memory cards may not be compatible with your motherboard. Ensure that you use only compatible memory cards to prevent loss of data, damage to your device, or memory card, or both.

### 12. Storage Device Activity LED connector (4-pin HDLED1)

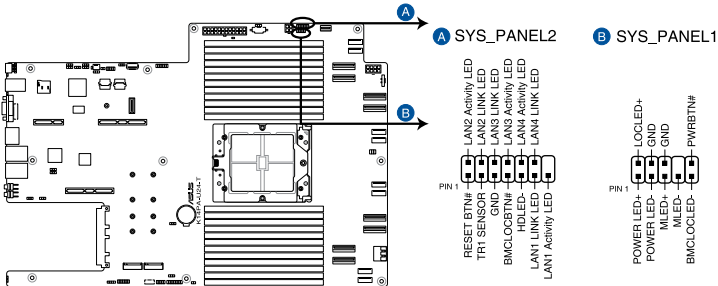
This LED connector is for the storage add-on card cable connected to the SATA or SAS add-on card. The read or write activities of any device connected to the SATA or SAS add-on card causes the front panel LED to light up.



**K14PA-U24-T Storage device activity LED connector**

### 13. System Panel connector (10-1 pin SYS\_PANEL1; 14-1 pin SYS\_PANEL2)

This connector supports several chassis-mounted functions.

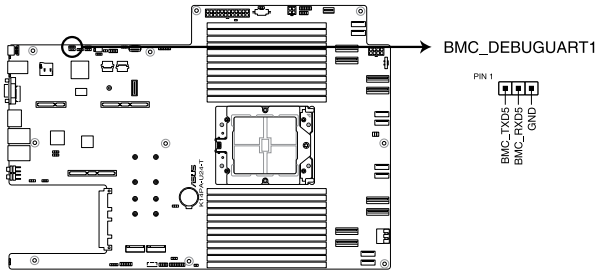


**K14PA-U24-T System panel connectors**

- **System power LED (POWERLED)**  
This 2-pin connector is for the system power LED. Connect the chassis power LED cable to this connector. The system power LED lights up when you turn on the system power, and blinks when the system is in sleep mode.
- **Message LED (2-pin MLED)**  
This 2-pin connector is for the message LED cable that connects to the front message LED. The message LED is controlled by the BMC to indicate an abnormal event occurrence.
- **Locator LED connector (BMCLOCLED, LOCLED)**  
This connector allows you to connect the Locator LED. The Location LED helps visually locate and identify the server in error on a server rack.
- **Power Button/Soft-off Button connector (PWRBTN)**  
The 3-1 pin connector allows you to connect the system power button. Press the power button to power up the system, or put the system into sleep or soft-off mode (depending on the operating system settings).
- **LAN activity LED connector (LAN1\_LED, LAN2\_LED, LAN3\_LED, LAN4\_LED)**  
This 2-pin connector allows you to connect the Gigabit LAN Activity LED.
- **Reset button connector (RESET)**  
This connector allows you to connect the chassis-mounted reset button. Press the reset button to reboot the system.
- **TR1 Sensor connector (TR1 SENSOR)**  
This connector allows detection of the environmental temperature of the front panel.
- **Locator button connector (BMCLOCBTN#)**  
This connector allows you to connect the Locator button. Press the button to light up the Locator LED.
- **Storage Device Activity LED connector (HDLED)**  
This connector allows you to connect the Storage Device Activity LED. The Storage Device Activity LED lights up or blinks when data is read from or written to the storage device or storage device add-on card.

**14. BMC Debug UART connector (3-pin BMC\_DEBUGUART1)**

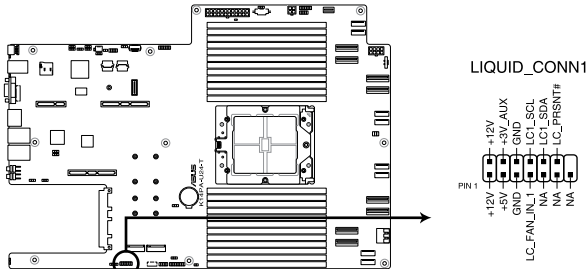
This connector is used for reading the BMC UART Debug log.



**K14PA-U24-T BMC\_DEBUGUART1 connector**

**15. Liquid connector (14-pin LIQUID\_CONN1)**

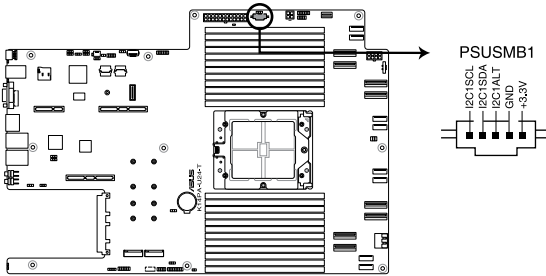
This connector is used for detecting the pump speed of the water cooling system.



**K14PA-U24-T LIQUID\_CONN1 connector**

**16. Power Supply SMBus connector (5-pin PSUSMB1)**

This connector allows you to connect SMBus (System Management Bus) to the PSU (power supply unit) to read PSU information. Devices communicate with an SMBus host and/or other SMBus devices using the SMBus interface.



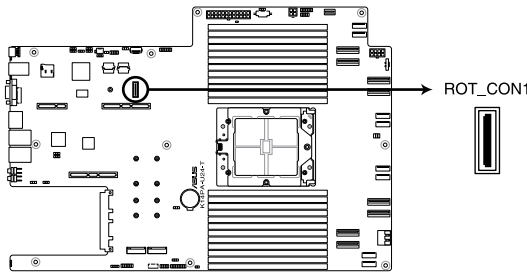
**K14PA-U24-T Power supply SMBus connector**



This connector functions only when you enable ASUS ASMB11.

**17. Platform Firmware Resilience (PFR) module connector (ROT\_CON)**

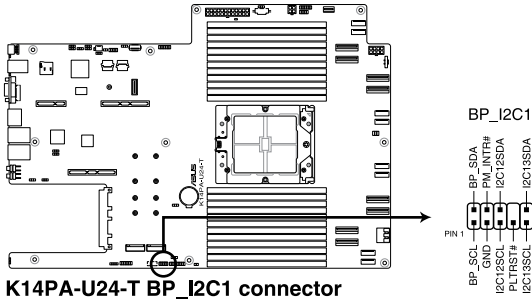
This connector allows you to connect a PFR module to enable platform firmware resilience functions.



**K14PA-U24-T ROT\_CON1 connector**

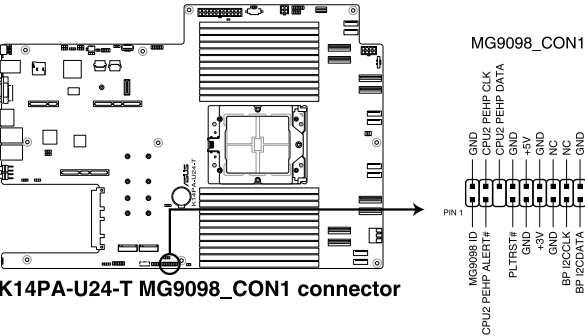
**18. Front BP SMBus Protocol connector (10-1 pin BP\_I2C1)**

This connector is used for sensor readings.



**19. Internal BP SMBus Protocol connector (18-1 MG9098\_CON1)**

This connector is used for sensor readings.





# **BIOS Setup**

# 4

This chapter tells how to change the system settings through the BIOS Setup menus. Detailed descriptions of the BIOS parameters are also provided.

## 4.1 Managing and updating your BIOS

The following utilities allow you to manage and update the motherboard Basic Input/Output System (BIOS) setup:

### 1. ASUS CrashFree BIOS 3

To recover the BIOS using a bootable USB flash disk drive when the BIOS file fails or gets corrupted.

### 2. ASUS EzFlash

Updates the BIOS using a USB flash disk.

### 4.1.1 ASUS CrashFree BIOS 3 utility

The ASUS CrashFree BIOS 3 is an auto recovery tool that allows you to restore the BIOS file when it fails or gets corrupted during the updating process. You can update a corrupted BIOS file using a USB flash drive that contains the updated BIOS file.



---

Prepare a USB flash drive containing the updated motherboard BIOS before using this utility.

---

### Recovering the BIOS from a USB flash drive

To recover the BIOS from a USB flash drive:

1. Insert the USB flash drive with the original or updated BIOS file to one USB port on the system.
2. The utility will automatically recover the BIOS. It resets the system when the BIOS recovery finished.



---

DO NOT shut down or reset the system while recovering the BIOS! Doing so would cause system boot failure!

---



---

The recovered BIOS may not be the latest BIOS version for this motherboard. Visit the ASUS website at [www.asus.com](http://www.asus.com) to download the latest BIOS file.

---



## 4.1.2 ASUS EZ Flash Utility

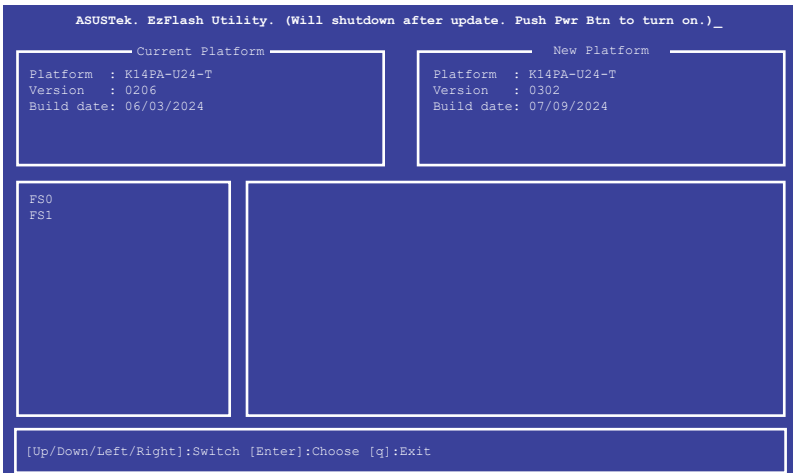
The ASUS EZ Flash Utility feature allows you to update the BIOS without having to use a DOS-based utility.



Before you start using this utility, download the latest BIOS from the ASUS website at [www.asus.com](http://www.asus.com).

To update the BIOS using EZ Flash Utility:

1. Insert the USB flash disk that contains the latest BIOS file into the USB port.
2. Enter the BIOS setup program. Go to the **Tool** menu then select **Start ASUS EzFlash**. Press <Enter>.



3. Press Left arrow key to switch to the **Drive** field.
4. Press the Up/Down arrow keys to find the USB flash disk that contains the latest BIOS, then press <Enter>.
5. Press Right arrow key to switch to the **Folder Info** field.
6. Press the Up/Down arrow keys to find the BIOS file, and then press <Enter> to perform the BIOS update process. Reboot the system when the update process is done.



- This function can support devices such as a USB flash disk with FAT 32/16 format and single partition only.
- DO NOT shut down or reset the system while updating the BIOS to prevent system boot failure!



Ensure to load the BIOS default settings to ensure system compatibility and stability. Press <F5> and select **Yes** to load the BIOS default settings.

## 4.2 BIOS setup program

This motherboard supports a programmable firmware chip that you can update using the provided utility described in section **4.1 Managing and updating your BIOS**.

Use the BIOS Setup program when you are installing a motherboard, reconfiguring your system, or prompted to “Run Setup.” This section explains how to configure your system using this utility.

Even if you are not prompted to use the Setup program, you can change the configuration of your computer in the future. For example, you can enable the security password feature or change the power management settings. This requires you to reconfigure your system using the BIOS Setup program so that the computer can recognize these changes and record them in the CMOS RAM of the firmware chip.

The firmware chip on the motherboard stores the Setup utility. When you start up the computer, the system provides you with the opportunity to run this program. Press <Del> during the Power-On Self-Test (POST) to enter the Setup utility; otherwise, POST continues with its test routines.

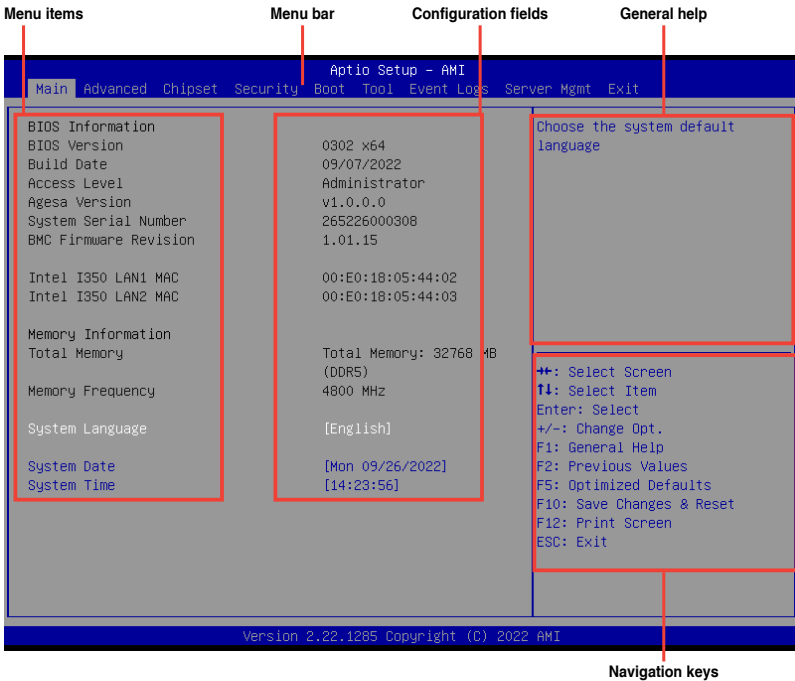
If you wish to enter Setup after POST, restart the system by pressing <Ctrl>+<Alt>+<Delete>, or by pressing the reset button on the system chassis. You can also restart by turning the system off and then back on. Do this last option only if the first two failed.

The Setup program is designed to make it as easy to use as possible. Being a menu-driven program, it lets you scroll through the various sub-menus and make your selections from the available options using the navigation keys.



- 
- The default BIOS settings for this motherboard apply for most conditions to ensure optimum performance. If the system becomes unstable after changing any BIOS settings, load the default settings to ensure system compatibility and stability. Press <F5> and select **Yes** to load the BIOS default settings.
  - The BIOS setup screens shown in this section are for reference purposes only, and may not exactly match what you see on your screen.
  - Visit the ASUS website ([www.asus.com](http://www.asus.com)) to download the latest BIOS file for this motherboard.
-

## 4.2.1 BIOS menu screen



## 4.2.2 Menu bar

The menu bar on top of the screen has the following main items:

- Main** For changing the basic system configuration
- Advanced** For changing the advanced system settings
- Chipset** For changing the chipset settings
- Security** For changing the security settings
- Boot** For changing the system boot configuration
- Tool** For configuring options for special functions
- Event Logs** For changing the event log settings
- Server Mgmt** For changing the Server Mgmt settings
- Save & Exit** For selecting the exit options

To select an item on the menu bar, press the right or left arrow key on the keyboard until the desired item is highlighted.

### **4.2.3 Menu items**

The highlighted item on the menu bar displays the specific items for that menu. For example, selecting **Main** shows the Main menu items.

The other items (such as **Advanced**) on the menu bar have their respective menu items.

### **4.2.4 Submenu items**

A solid triangle before each item on any menu screen means that the item has a submenu. To display the submenu, select the item then press <Enter>.

### **4.2.5 Navigation keys**

At the bottom right corner of a menu screen are the navigation keys for the BIOS setup program. Use the navigation keys to select items in the menu and change the settings.

### **4.2.6 General help**

At the top right corner of the menu screen is a brief description of the selected item.

### **4.2.7 Configuration fields**

These fields show the values for the menu items. If an item is user-configurable, you can change the value of the field opposite the item. You cannot select an item that is not user-configurable.

A configurable field is enclosed in brackets, and is highlighted when selected. To change the value of a field, select it and press <Enter> to display a list of options.

### **4.2.8 Pop-up window**

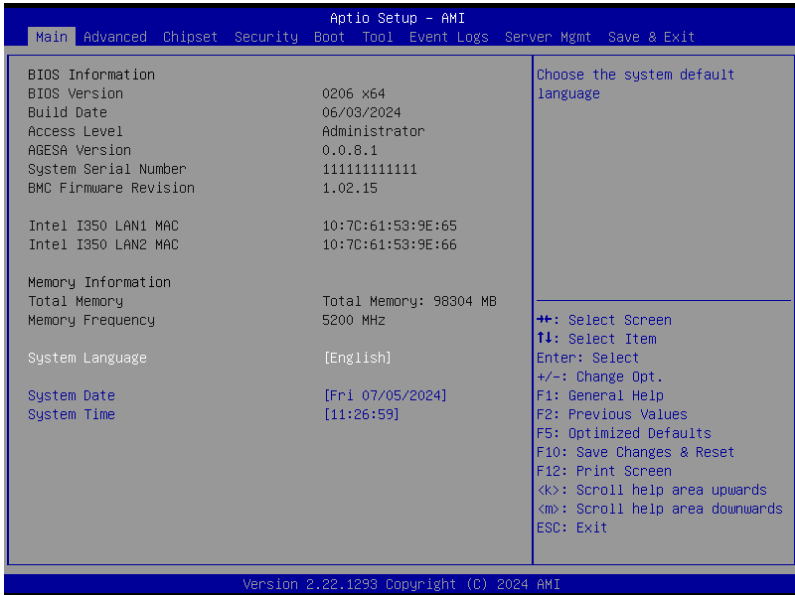
Select a menu item and press <Enter> to display a pop-up window with the configuration options for that item.

### **4.2.9 Scroll bar**

A scroll bar appears on the right side of a menu screen when there are items that do not fit on the screen. Press the Up / Down arrow keys or <Page Up> / <Page Down> keys to display the other items on the screen.

## 4.3 Main menu

When you enter the BIOS Setup program, the Main menu screen appears. The Main menu provides you an overview of the basic system information, and allows you to set the system date, time, and language settings.



### System Language [English]

Allows you to select the system default language.

### System Date [Day xx/xx/xxxx]

Allows you to set the system date.

### System Time [xx:xx:xx]

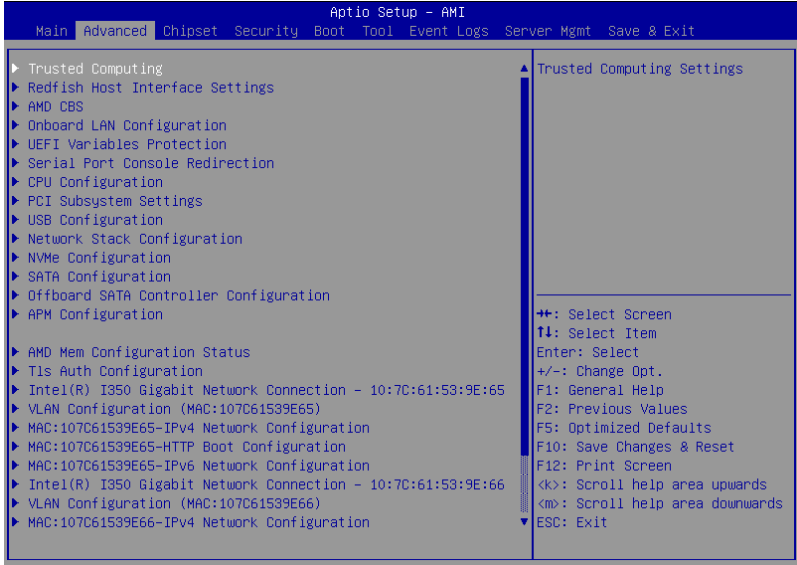
Allows you to set the system time.

## 4.4 Advanced menu

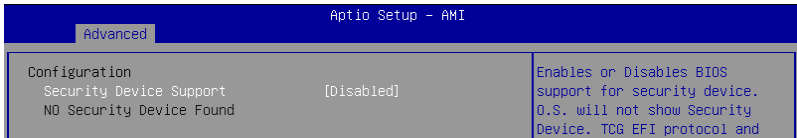
The Advanced menu items allow you to change the settings for the CPU and other system devices.



Take caution when changing the settings of the Advanced menu items. Incorrect field values can cause the system to malfunction.



### 4.4.1 Trusted Computing

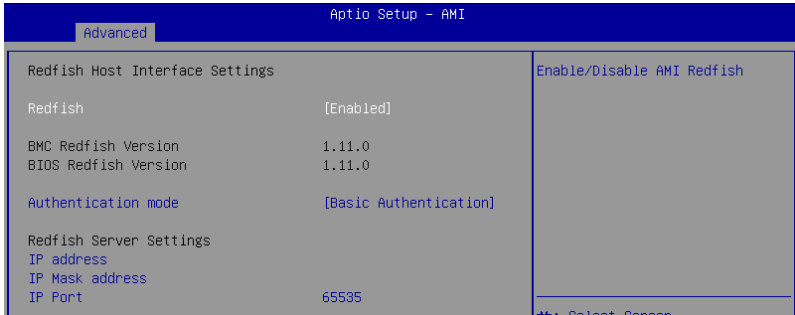


#### Security Device Support [Disabled]

Allows you to enable or disable the BIOS support for security device. O.S. will not show Security Device. TCG EFI protocol and INT1A interface will not be available.

Configuration options: [Disabled] [Enabled]

## 4.4.2 Redfish Host Interface Settings



### Redfish [Enabled]

Allows you to enable or disable Redfish.

Configuration options: [Disabled] [Enabled]



---

The following items appear only when **Redfish** is set to **[Enabled]**.

---

#### Authentication mode [Basic Authentication]

Allows you to select the authentication mode.

Configuration options: [Basic Authentication] [Session Authentication]

#### Redfish BMC Settings

##### IP address

Allows you to enter the IP address.

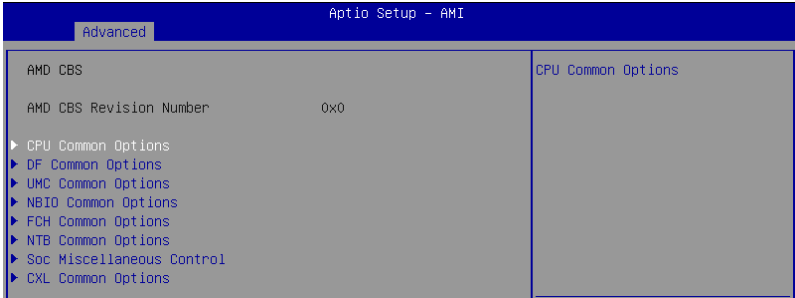
##### IP Mask address

Allows you to enter the IP Mask address.

##### IP Port

Allows you to enter the IP Port.

## 4.4.3 AMD CBS



### CPU Common Options

#### Performance

Allows you to configure performance options.

#### REP-MOV/STOS Streaming [Enabled]

Allows you to enable or disable the use of non-caching streaming stores for large sizes.

Configuration options: [Disabled] [Enabled]

#### Prefetcher Settings

Allows you to configure prefetcher options.

#### Core Watchdog

Allows you to configure core watchdog options.

#### RedirectForReturnDis [Auto]

Allows you to set RedirectForReturnDis to 0, 1, or Auto as a workaround for GCC/C000005 issue for XV Core on CZ A0.

Configuration options: [Auto] [1] [0]

#### Platform First Error Handling [Auto]

Allows you to enable or disable PFEH, cloak individual banks, and mask deferred error interrupts from each bank.

Configuration options: [Disabled] [Enabled] [Auto]

#### Core Performance Boost [Auto]

Configuration options: [Disabled] [Auto]

#### Global C-state Control [Auto]

Allows you to control IO based C-state generation and DF C-states.

Configuration options: [Disabled] [Enabled] [Auto]

#### Power Supply Idle Control [Auto]

Configuration options: [Low Current Idle] [Typical Current Idle] [Auto]



**Streaming Stores Control [Auto]**

Configuration options: [Disabled] [Enabled] [Auto]

**Local APIC Mode [Auto]**

Configuration options: [Compatibility] [xAPIC] [x2APIC] [Auto]

**ACPI \_CST C1 Declaration [Auto]**

Determines whether or not to declare the C1 state to the OS.

Configuration options: [Disabled] [Enabled] [Auto]

**ACPI CST C2 Latency [100]**

Enter in microseconds (decimal value). Larger C2 latency values will reduce the number of C2 transitions and reduce C2 residency. Fewer transitions can help when performance is sensitive to the latency of C2 entry and exit. Higher residency can improve performance by allowing higher frequency boost and reduce idle core power. With Linux kernel 6.0 or later, the C2 transition cost is significantly reduced. The best value will be dependent on kernel version, use case, and workload.

Configuration options:[18] - [1000]

**MCA error thresh enable [Auto]**

Configuration options: [False] [True] [Auto]

**MCA correctable error interrupt mask [Auto]**

Configuration options: [Disable] [Enable] [Auto]

**MCA FruText [True]**

Configuration options: [False] [True]

**SMU and PSP Debug Mode [Auto]**

If this option is enabled, uncorrected errors detected by the PSP FW or SMU FW will hang and not reset the system instead of causing a cold reset.

Configuration options: [Disabled] [Enabled] [Auto]

**PPIN Opt-in [Auto]**

Configuration options: [Disabled] [Enabled] [Auto]

**SMEE [Auto]**

Control secure memory encryption enable. Enabling both SMEE and SME-MK is not supported. Results in #GP.

Configuration options: [Disable] [Enable] [Auto]

**Action on BIST Failure [Auto]**

Allows you to configure what action is taken when a CCD BIST failure is detected.

Configuration options: [Do nothing] [Down-CCD] [Auto]

**Enhanced REP MOVSB/STOSB (ESRM) [Auto]**

Default is 1, can be set to zero for analysis purposes as long as OS supports it.

Configuration options: [Disabled] [Enabled] [Auto]

**Log Transparent Errors [Auto]**

Log transparent errors in MCA in addition to debug registers.

Configuration options: [Disabled] [Enabled] [Auto]

**AVX512 [Auto]**

Configuration options: [Disabled] [Enabled] [Auto]

**Enhanced Rep Movs Stos B [Auto]**

Configuration options: [Disabled] [Enabled] [Auto]

**MONITOR and MWAIT Disable [Auto]**

When this option is enabled, MONITOR, MWAIT, MONITORX, and MWAITX opcodes become invalid.

Configuration options: [Disabled] [Enabled] [Auto]

**CPU Speculative Store Modes [Auto]**

- [Balanced] Store instructions may delay sending out their invalidations to remote cacheline copies when the cacheline is present but not in a writable state in the local cache.
- [More Speculative] Store instructions will send out invalidations to remote cacheline copies as soon as possible.
- [Less Speculative] Store instructions may delay sending out their invalidations to remote cacheline copies when the cacheline is not present in the local cache or not in a writable state in the local.
- [Auto] Uses default setting.

**Fast Short REP MOVSB (FSRM) [Enabled]**

Default set to 1, can be set to zero for analysis purposes as long as OS supports it.

Configuration options: [Disabled] [Enabled] [Auto]

**PauseCntSel\_1\_0 [Auto]**

Number of cycles dispatch is stalled for a thread after dispatching PAUSE instruction. POR is 64 cycles.

Configuration options: [Disabled] [Enabled]

**Prefetch/Request Throttle [Auto]**

Enables XI logic which calculates average latency, updates throttle level, and sends throttle level messages to L2.

Configuration options: [Disable] [Enable] [Auto]

**Scan Dump Debug Enable [Disable]**

This option operates like below settings (when enabled) to avoid the reset caused by Syncflood, etc.

Configuration options: [Disable] [Enable]

**MCAX 64 bank support [Auto]**

Enable 64 MCA banks per thread mapping.

Configuration options: [Disabled] [Enabled] [Auto]

**Adaptive Allocation (AA) [Auto]**

Disable to use fixed L2 replacement/allocation policy.

Configuration options: [Disabled] [Enabled] [Auto]

**Latency Under Load (LUL) [Auto]**

Enabling may improve latency in heavy BW scenarios. May slightly reduce peak CCD BW.

Configuration options: [Disabled] [Enabled] [Auto]

**Core Trace Dump Enable [Disable]**

Allows you to enable or disable Core Trace Dump Feature.

Configuration options: [Disable] [Enable]

**DF Common Options****Memory Addressing**

Allows you to configure memory addressing options.

**ACPI**

Allows you to configure ACPI options.

**Link**

Allows you to configure Link settings.

**SDCI**

Allows you to configure SDCI settings.

**DF Watchdog Timer Interval [Auto]**

Allows you to set the Data Fabric watchdog timer interval.

Configuration options: [Auto] [41 ms] [166 ms] [334 ms] [669 ms] [1.34 seconds] [2.68 seconds] [5.36 seconds]

**Disable DF to external IP SyncFloodPropagation [Auto]**

Allows you to enable or disable SyncFlood to UMC and downstream slaves.

Configuration options: [Sync flood disabled] [Sync flood enabled] [Auto]

**Sync Flood Propagation to DF Components [Auto]**

Configuration options: [Sync flood disabled] [Sync flood enabled] [Auto]

**Freeze DF module queues on error [Auto]**

Configuration options: [Disabled] [Enabled] [Auto]

**CC6 Memory Region Encryption [Auto]**

Control whether or not the CC6 save/restore memory is encrypted.

Configuration options: [Disabled] [Enabled] [Auto]

**CCD B/W Balance Throttle Level [Auto]**

Enabled throttling of memory traffic per CCD. Increased throttling can reduce imbalance across CCDs (expected to be rare).

Configuration options: [Auto] [Level 0] [Level 1] [Level 2] [Level 3] [Level 4]

**Number of PCI Segments [Auto]**

Configuration options: [1 Segment] [2 Segments] [4 Segments] [Auto]

### **CCM Throttler [Auto]**

Limit peak CCM throughput.

Configuration options: [Disabled] [Enabled] [Auto]



---

The following items appear only when **CCM Throttler** is set to **[Enabled]**.

---

#### **MemReqBandwidthControl [FineThrotHeavy] [0]**

If CCM Throttler enabled, limit level. Value 0 to 31 where 31+1 = 100% BW.

Configuration options: [0] - [19]

#### **MemReqBandwidthControl [FineThrotLight] [0]**

If CCM Throttler enabled, limit level. Value 0 to 31 where 31+1 = 100% BW.

Configuration options: [0] - [19]

### **Clean Victim FTI Cmd Balancing [Auto]**

Control Clean Victim FTI Cmd Balancing feature.

Configuration options: [Disable] [Enable]

## **UMC Common Options**

### **DDR Addressing Options**

Allows you to configure DDR addressing options.

### **DDR Controller Configuration**

Allows you to configure DDR controller options.

### **DDR MBIST Options**

Allows you to configure DDR MBIST options.

### **DDR RAS**

Allows you to configure DDR RAS options.

### **DDR Bus Configuration**

Allows you to configure DDR Bus options.

### **DDR Timing Configuration**

Allows you to configure DDR Timing options.

### **DDR Training Options**

Allows you to configure DDR Training options.

### **DDR Security**

Allows you to configure DDR Security options.

### **DDR PMIC Configuration**

Allows you to configure DDR PMIC options.

### **DDR Miscellaneous**

Allows you to configure DDR Miscellaneous options.

## **NBIO Common Options**

### **SMU Common Options**

Allows you to configure SMU Common options.

### **NBIO RAS Common Options**

Allows you to configure NBIO RAS Common options.

### **PCIE**

Allows you to configure PCIE options.

### **nBif Common Options**

Allows you to configure nBif Common options.

### **IOMMU/Security**

Allows you to configure IOMMU/Security options.

### **Enable Port Bifurcation**

Allows you to configure Enable Port Bifurcation options.

### **Link EQ Preset Options**

Allows you to configure Link EQ Preset Options options.

### **PCIe Loopback Mode [Auto]**

Allows you to enable or disable PCIe Loopback Mode.

Configuration options: [Auto] [Disabled] [Enabled]

### **Enable 2 SPC (Gen 4)**

Enable this setting to use 2 symbols per clock for devices at Gen 4 speed.

Configuration options: [Disable] [Enable] [Auto]

### **Enable 2 SPC (Gen 5)**

Enable this setting to use 2 symbols per clock for devices at Gen 5 speed.

Configuration options: [Disable] [Enable] [Auto]

### **Safe recovery upon a BERExceeded Error [Auto]**

Configuration options: [Disable] [Enable] [Auto]

### **Periodic Calibration [Auto]**

Configuration options: [Disable] [Enable] [Auto]

## **FCH Common Options**

### **I3C/I2C Configuration Options**

Allows you to configure I3C/I2C options.

### **SATA Configuration Options**

Allows you to configure SATA options.

### **USB Configuration Options**

Allows you to configure USB options.

### **Ac Power Loss Options**

Allows you to configure AC power loss options.

## UART Configuration Options

Allows you to configure UART options.

## FCH RAS Options

Allows you to configure FCH RAS options.

## Miscellaneous Options

Allows you to configure miscellaneous FCH options.

## NTB Common Options

### Socket-0 P0 NTB Enable [Auto]

Enable NTB on Socket-0 P0 Link.

Configuration options: [Disable] [Enable] [Auto]



---

The following items appear only when **Socket-0 P0 NTB Enable** is set to **[Enable]**.

---

#### Socket-0 P0 Start Lane [0]

NTB Start Lane on Socket-0 P0 Link.

Configuration options: [0] - [15]

#### Socket-0 P0 End Lane [15]

NTB Start Lane on Socket-0 P0 Link.

Configuration options: [0] - [15]

#### Socket-0 P0 Link Speed [Auto]

Link Speed for Socket-0 P0 Link.

Configuration options: [Auto] [Gen 1] [Gen 2] [Gen 3] [Gen 4] [Gen 5]

#### Socket-0 P0 NTB Mode [Auto]

NTB Mode for Socket-0 P0 Link.

Configuration options: [Auto] [NTB Disabled] [NTB Primary] [NTB Secondary]

### Socket-0 P2 NTB Enable [Auto]

Configuration options: [Disabled] [Enabled] [Auto]



---

The following items appear only when **Socket-0 P2 NTB Enable** is set to **[Enable]**.

---

#### Socket-0 P2 Start Lane [48]

NTB Start Lane on Socket-0 P2 Link.

Configuration options: [48] - [63]

#### Socket-0 P2 End Lane [63]

NTB Start Lane on Socket-0 P2 Link.

Configuration options: [48] - [63]

#### Socket-0 P2 Link Speed [Auto]

Link Speed for Socket-0 P2 Link.

Configuration options: [Auto] [Gen 1] [Gen 2] [Gen 3] [Gen 4] [Gen 5]

#### Socket-0 P2 NTB Mode [Auto]

NTB Mode for Socket-0 P2 Link.

Configuration options: [Auto] [NTB Disabled] [NTB Primary] [NTB Secondary]

## Soc Miscellaneous Control

### ABL Console Out Control [Auto]

[Disable]	Disable ConsoleOut Function for ABL.
[Enable]	Enable ConsoleOut Function for ABL.
[Auto]	Keep default behavior.



---

The following items appear only when **ABL Console Out Control** is set to **[Enable]**.

---

### ABL Console Out Serial Port [Auto]

[eSPI UART]	Enable serial port through eSPI UART.
[SOC UART0]	Enable serial port through SOC UART0.
[SOC UART1]	Enable serial port through SOC UART1.
[Auto]	Keep default behavior.



---

The following item appears only when **ABL Console Out Serial Port** is set to **[eSPI UART]**.

---

### ABL Console Out Serial Port IO [Auto]

Select Legacy Uart (SIO or eSPI) IO base.

[0x3F8]	Set IO base to 0x3F8.
[0x2F8]	Set IO base to 0x2F8.
[0x3E8]	Set IO base to 0x3E8.
[0x2E8]	Set IO base to 0x2E8.
[Auto]	Keep default behavior.



---

Please make sure the selected eSPI IO base and length has been filled in APCB\_FCH\_TYPE\_ESPI\_INIT or APCB\_FCH\_TYPE\_ESPI1\_INIT EspilnitConfiguration table. CRB only fills 0x3F8, 0x2F8 in it by default.

---

### ABL Basic Console Out Control [Auto]

[Disabled]	Disable Basic ConsoleOut Function for ABL.
[Enabled]	Enable Basic ConsoleOut Function for ABL.
[Auto]	Keep default behavior.

### ABL PMU message Control [Auto]

Allows you to control the total number of PMU debug messages.

Configuration options: [Detailed debug message] [Coarse debug message] [Stage completion] [Auto]

### ABL Memory Population message Control [Warning message]

Non-recommended configurations may be functional but may not be validated by AMD.

[Warning message]	Show warning messages if Memory channel configuration does NOT follow SP5 Memory Population Guidelines.
[Fatal error]	Show warning messages and halt system.

### **PSP error injection support [False]**

Enable EINJ support.

Configuration options: [False] [True]

### **Firmware Anti-rollback (FAR)**

Allows you to configure Firmware Anti-rollback (FAR) options.

## **CXL Common Options**



---

For an AVL of components that support CXL, please contact your sales representative.

---

### **CXL Control [Auto]**

Force enablement of CXL on all ports.

[Auto] Uses default settings.

[Enabled] Allow platforms to enable CXL by port.

[Disabled] Force enablement of CXL on all ports.

### **CXL Physical Addressing [Auto]**

Control SDP request system address.

[Auto] Uses default settings.

[Normalized address] CS sends normalized address to SDP.

[System address] CS sends system to SDP.

### **CXL Memory Attribute [Auto]**

Set CXL memory as Special Purpose Memory.

Configuration options: [Disabled] [Enabled] [Auto]

### **CXL Encryption [Disabled]**

Configuration options: [Disabled] [Enabled]

### **CXL DVSEC Lock [Auto]**

Locks the CXL DVSEC.

Configuration options: [Auto] [Disabled] [Enabled]

### **CXL HDM Decoder Lock on Commit [Auto]**

The CXL HDM Decoder will become read only when the decoder becomes active.

Configuration options: [Auto] [Disabled] [Enabled]

### **Temp Gen5 Advertisement [Auto]**

Temp Gen5 Advertisement for Alternate Protocol.

Configuration options: [Disable] [Enable] [Auto]

### **Sync Header Bypass [Auto]**

Allows you to enable or disable Sync Header Bypass.

Configuration options: [Disabled] [Enabled] [Auto]

### **CXL RAS**

Allows you to configure CXL RAS options.



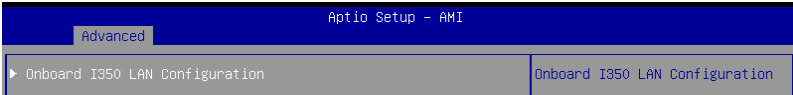
### **CXL Memory Online/Offline [Disabled]**

All 4 Plink slots support memory online/offline. Only slot4 of Amber supports hot plug. CXL memory interleaving automatically disabled globally when this CBS is enabled. Configuration options: [Disabled] [Enabled]

### **Override CXL Memory Size [Auto]**

Configuration options: [32GB] [64GB] [128GB] [Auto]

## **4.4.4 Onboard LAN Configuration**



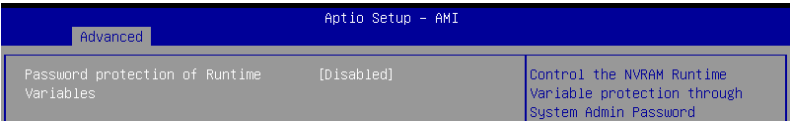
### **Onboard I350 LAN Configuration**

#### **Intel I350 LAN1-2**

#### **LAN Enable [Enabled]**

Allows you to enable or disable the Intel LAN. Configuration options: [Disabled] [Enabled]

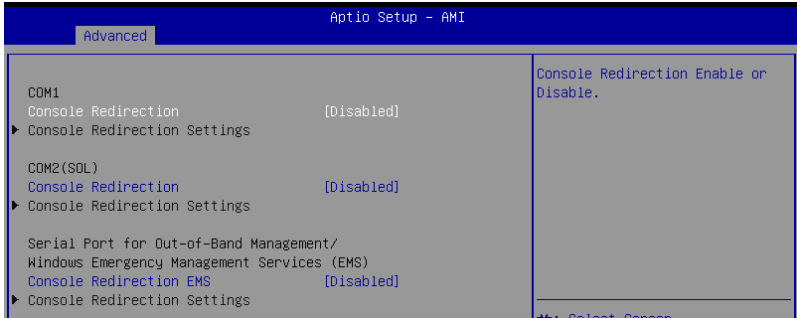
## **4.4.5 UEFI Variables Protection**



### **Password protection of Runtime Variables [Disabled]**

Control the NVRAM Runtime Variable protection through System Admin Password. Configuration options: [Enabled] [Disabled]

## 4.4.6 Serial Port Console Redirection



### COM1/COM2(SOL)

#### Console Redirection [Disabled]

Allows you to enable or disable the console redirection feature.

Configuration options: [Disabled] [Enabled]



---

The following item appears only when **Console Redirection** is set to **[Enabled]**.

---

#### Console Redirection Settings

These items become configurable only when you enable the **Console Redirection** item. The settings specify how the host computer and the remote computer (which the user is using) will exchange data. Both computers should have the same or compatible settings.

##### Terminal Type [VT100Plus]

Allows you to set the terminal type.

[VT100] ASCII char set.

[VT100Plus] Extends VT100 to support color, function keys, etc.

[VT-UTF8] Uses UTF8 encoding to map Unicode chars onto 1 or more bytes.

[ANSI] Extended ASCII char set.

##### Bits per second [115200]

Selects serial port transmission speed. The speed must be matched on the other side. Long or noisy lines may require lower speeds.

Configuration options: [9600] [19200] [57600] [115200] [230400] [460800] [921600]

##### Data Bits [8]

Configuration options: [7] [8]

### **Parity [None]**

A parity bit can be sent with the data bits to detect some transmission errors. [Mark] and [Space] parity do not allow for error detection.

[None]	None
[Even]	parity bit is 0 if the num of 1's in the data bits is even
[Odd]	parity bit is 0 if num of 1's in the data bits is odd
[Mark]	parity bit is always 1
[Space]	parity bit is always 0

### **Stop Bits [1]**

Stop bits indicate the end of a serial data packet. (A start bit indicates the beginning.) The standard setting is 1 stop bit. Communication with slow devices may require more than 1 stop bit.

Configuration options: [1] [2]

### **Flow Control [Hardware RTS/CTS]**

Flow control can prevent data loss from buffer overflow. When sending data, if the receiving buffers are full, a "stop" signal can be sent to stop the data flow. Once the buffers are empty, a "start" signal can be sent to re-start the flow. Hardware flow control uses two wires to send start/stop signals.

Configuration options: [None] [Hardware RTS/CTS]

### **VT -UTF8 Combo Key Support [Enabled]**

This allows you to enable the VT -UTF8 Combination Key Support for ANSI/VT100 terminals.

Configuration options: [Disabled] [Enabled]

### **Recorder Mode [Disabled]**

With this mode enabled only text will be sent. This is to capture Terminal data.

Configuration options: [Disabled] [Enabled]

### **Resolution 100x31 [Enabled]**

This allows you enable or disable extended terminal resolution.

Configuration options: [Disabled] [Enabled]

### **Putty Keypad [VT100]**

This allows you to select the FunctionKey and Keypad on Putty.

Configuration options: [VT100] [LINUX] [XTERMR6] [SCO] [ESCN] [VT400]

## **Serial Port for Out-of-Band Management/ Windows Emergency Management Services (EMS)**

### **Console Redirection [Disabled]**

Allows you to enable or disable the console redirection feature.

Configuration options: [Disabled] [Enabled]



---

The following item appears only when **Console Redirection** is set to **[Enabled]**.

---

## Console Redirection Settings

These items become configurable only when you enable the **Console Redirection** item. The settings specify how the host computer and the remote computer (which the user is using) will exchange data. Both computers should have the same or compatible settings.

### Out-of-Band Mgmt Port [COM1]

Microsoft Windows Emergency Management Services (EMS) allow for remote management of a Windows Server OS through a serial port.  
Configuration options: [COM1] [COM2(SOL)]

### Terminal Type [VT-UTF8]

VT-UTF8 is the preferred terminal type for out-of-band management. The next best choice is VT100+ and then VT100. See above, in Console Redirection Settings page, for more help with Terminal Type/Emulation.  
Configuration options: [VT100] [VT100Plus] [VT-UTF8] [ANSI]

### Bits per second [115200]

Selects serial port transmission speed. The speed must be matched on the other side. Long or noisy lines may require lower speeds.  
Configuration options: [9600] [19200] [57600] [115200] [230400] [460800] [921600]

### Flow Control [None]

Flow control can prevent data loss from buffer overflow. When sending data, if the receiving buffers are full, a “stop” signal can be sent to stop the data flow. Once the buffers are empty, a “start” signal can be sent to re-start the flow. Hardware flow control uses two wires to send start/stop signals.  
Configuration options: [None] [Hardware RTS/CTS] [Software Xon/Xoff]

## 4.4.7 CPU Configuration

This page displays the CPU node information.



### SVM Mode [Enable]

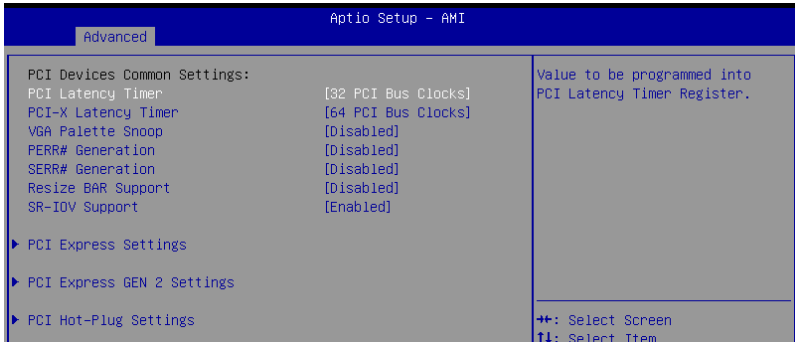
This item allows you enable or disable CPU Virtualization.  
Configuration options: [Disabled] [Enabled]

### Node 0 Information

This item allows you to view memory information related to Node 0.

## 4.4.8 PCI Subsystem Settings

Allows you to configure PCI, PCI-X, and PCI Express Settings.



### PCI Latency Timer [32 PCI Bus Clocks]

Value to be programmed into PCI Latency Timer Register.

Configuration options: [32 PCI Bus Clocks] [64 PCI Bus Clocks] [96 PCI Bus Clocks] [128 PCI Bus Clocks] [160 PCI Bus Clocks] [192 PCI Bus Clocks] [224 PCI Bus Clocks] [248 PCI Bus Clocks]

### PCI-X Latency Timer [64 PCI Bus Clocks]

Value to be programmed into PCI Latency Timer Register.

Configuration options: [32 PCI Bus Clocks] [64 PCI Bus Clocks] [96 PCI Bus Clocks] [128 PCI Bus Clocks] [160 PCI Bus Clocks] [192 PCI Bus Clocks] [224 PCI Bus Clocks] [248 PCI Bus Clocks]

### VGA Palette Snoop [Disabled]

Allows you to enable or disable VGA Palette Registers Snooping.

Configuration options: [Disabled] [Enabled]

### PERR# Generation [Disabled]

Allows you to enable or disable PCI device to generate PERR#.

Configuration options: [Disabled] [Enabled]

### SERR# Generation [Disabled]

Allows you to enable or disable PCI device to generate SERR#.

Configuration options: [Disabled] [Enabled]

## Re-Size BAR Support [Disabled]

If the system has Resize BAR capable PCIe Devices, this option enables or disable Resize BAR Support (only if system supports 64 bit PCI Decoding).  
Configuration options: [Disabled] [Enabled]



---

To enable Resize BAR Support to fully harness GPU memory, please navigate to Boot section and disable CSM (Compatibility Support Module).

---

## SR-IOV Support [Enabled]

This option enables or disables Single Root IO Virtualization Support if the system has SR-IOV capable PCIe devices.  
Configuration options: [Disabled] [Enabled]

## PCI Express Settings

### PCI Express Device Register Settings

#### Relaxed Ordering [Enabled]

Allows you to enable or disable PCI Express Device Relaxed Ordering.  
Configuration options: [Disabled] [Enabled]

#### Extended Tag [Disabled]

If this item is enabled, it will allow Device to use 8-bit Tag field as a requester.  
Configuration options: [Disabled] [Enabled]

#### No Snoop [Enabled]

Allows you to enable or disable PCI Express Device No Snoop option.  
Configuration options: [Disabled] [Enabled]

#### Maximum Payload [Auto]

Allows you to set Maximum Payload of PCI Express Device or allow System BIOS to select the value.  
Configuration options: [Auto] [128 Bytes] [256 Bytes] [512 Bytes] [1024 Bytes] [2048 Bytes] [4096 Bytes]

#### Maximum Read Request [Auto]

Allows you to set Maximum Read Request Size of PCI Express Device or allow System BIOS to select the value.  
Configuration options: [Auto] [128 Bytes] [256 Bytes] [512 Bytes] [1024 Bytes] [2048 Bytes] [4096 Bytes]

### PCI Express Link Register Settings

#### ASPM Support [Disabled]

Allows you to set the ASPM level.

- [Disabled] Disables ASPM.
- [Auto] BIOS auto configure.
- [Force L0s] Force all links to L0s State.



---

Enabling ASPM may cause some PCI-E devices to fail.

---

### **Extended Synch [Disabled]**

If this item is enabled, it will allow generation of Extended Synchronization patterns.  
Configuration options: [Disabled] [Enabled]

### **Link Training Retry [5]**

Allows you to define the number of Retry Attempts software will take to retrain the link if previous training attempt was unsuccessful.  
Configuration options: [Disabled] [2] [3] [5]

### **Link Training Timeout (uS) [1000]**

Allows you to define the number of Microseconds software will wait before polling 'link Training' bit in Link Status register.  
Configuration options: [10] - [10000]

### **Unpopulated Links [Keep Link ON]**

If this option is set to **[Disable]**, in order to save power, software will disable unpopulated PCI Express Links.  
Configuration options: [Keep Link ON] [Disable]

## **PCI Express GEN 2 Settings**

The items in this submenu allow you change PCI Express GEN Devices Settings.

### **PCI Express GEN2 Device Register Settings**

#### **Completion Timeout [Default]**

In device Functions that support Completion Timeout programmability, allows system software to modify the Completion Timeout value.

- [Default]        50us to 50ms.
- [Shorter]       Software will use shorter timeout ranges supported by hardware.
- [Longer]        Software will use longer timeout ranges.
- [Disabled]      Disable completion timeout.

#### **ARI Forwarding [Disabled]**

If supported by hardware and set to **[Enabled]**, the Downstream Port disables its traditional Device Number field being 0 enforcement when turning a Type1 Configuration Request into a Type0 Configuration Request, permitting access to Extended Functions in an ARI Device immediately below the Port.  
Configuration options: [Disabled] [Enabled]

#### **Atomic0p Requester Enable [Disabled]**

If supported by hardware and set to **[Enabled]**, this function initiates Atomic0p Requests only if Bus Master Enable bit is in the Command Register Set.  
Configuration options: [Disabled] [Enabled]

#### **Atomic0p Egress Blocking [Disabled]**

If supported by hardware and set to **[Enabled]**, outbound Atomic0p Requests via Egress Ports will be blocked.  
Configuration options: [Disabled] [Enabled]

### **IDO Request Enable [Disabled]**

If supported by hardware and set to **[Enabled]**, this permits setting the number of ID-Based Ordering (IDO) bit (Attribute[2]) requests to be initiated.

Configuration options: [Disabled] [Enabled]

### **IDO Completion Enable [Disabled]**

If supported by hardware and set to **[Enabled]**, this permits setting the number of ID-Based Ordering (IDO) bit (Attribute[2]) requests to be initiated.

Configuration options: [Disabled] [Enabled]

### **LTR Mechanism Enable [Disabled]**

If supported by hardware and set to **[Enabled]**, this enables the Latency Tolerance Reporting (LTR) Mechanism.

Configuration options: [Disabled] [Enabled]

### **End-End TLP Prefix Blocking [Disabled]**

If supported by hardware and set to **[Enabled]**, this function will block forwarding of TLPs containing End-End TLP Prefixes.

Configuration options: [Disabled] [Enabled]

### **PCI Express GEN2 Link Register Settings**

#### **Target Link Speed [Auto]**

If supported by hardware and set to **[Force to X.X GT/s]**, for Downstream Ports, this sets an upper limit on Link operational speed by restricting the values advertised by the Upstream component in its training sequences. When **[Auto]** is selected HW initialized data will be used.

Configuration options: [Disabled] [Force to 2.5 GT/s] [Force to 5.0 GT/s] [Force to 8.0 GT/s] [Force to 16.0 GT/s] [Force to 32.0 GT/s]

#### **Clock Power Management [Disabled]**

If supported by hardware and set to **[Enabled]**, the device is permitted to use CLKREQ# signal for power management of Link clock in accordance to protocol defined in appropriate form factor specification.

Configuration options: [Disabled] [Enabled]

#### **Compliance SOS [Disabled]**

If supported by hardware and set to **[Enabled]**, this will force LTSSM to send SKP Ordered Sets between sequences when sending Compliance Pattern or Modified Compliance Pattern.

Configuration options: [Disabled] [Enabled]

#### **Hardware Autonomous Width [Enabled]**

If supported by hardware and set to **[Disabled]**, this will disable the hardware's ability to change link width except width size reduction for the purpose of correcting unstable link operation.

Configuration options: [Disabled] [Enabled]

#### **Hardware Autonomous Speed [Enabled]**

If supported by hardware and set to **[Disabled]**, this will disable the hardware's ability to change link speed except speed rate reduction for the purpose of correcting unstable link operation.

Configuration options: [Disabled] [Enabled]



## PCI Hot-Plug Settings

The items in this submenu allow you change PCI Express Hot-Plug and Standard HP Controller Settings.

### BIOS Hot-Plug Support [Enabled]

If this item is enabled, it allows the BIOS built-in Hot-Plug support to be used.. Use this feature if OS does not support PCI Express and SHPC hot-plug natively.

Configuration options: [Disabled] [Enabled]



---

The following items appear only when **BIOS Hot-Plug Support** is set to **[Enabled]**.

---

#### PCI Buses Padding [1]

Pad PCI Buses behind the bridge for Hot-Plug.

Configuration options: [Disabled] [1] - [5]

#### I/O Resources Padding [Disabled]

Pad PCI I/O Resources behind the bridge for Hot-Plug.

Configuration options: [Disabled] [4 K] [8 K] [16 K] [32 K]

#### MMIO 32 bit Resources Padding [16 M]

Pad PCI MMIO 32-bit Resources behind the bridge for Hot-Plug.

Configuration options: [Disabled] [1 M] [2 M] [4 M] [8 M] [16 M] [32 M] [64 M] [128 M]

#### PFMMIO 32 bit Resources Padding [16 M]

Pad PCI MMIO 32-bit Prefetchable Resources behind the bridge for Hot-Plug.

Configuration options: [Disabled] [1 M] [2 M] [4 M] [8 M] [16 M] [32 M] [64 M] [128 M]

#### PFMMIO 64 bit Resources Padding [64 M]

Pad PCI MMIO 64-bit Prefetchable Resources behind the bridge for Hot-Plug.

Configuration options: [Disabled] [1 M] [2 M] [4 M] [8 M] [16 M] [32 M] [64 M] [128 M] [256 M] [512 M] [1 G] [2 G] [4 G] [8 G]



---

Due to the Bridge Architecture Specification Software, selected padding for 64 and 32 bit PFMMIO window cannot be applied at the same time. User must pick choose which PFMMIO they want to pad by setting the other resource to the disabled state. If both PFMMIO is set, the 32 bit resource will be used.

---

## 4.4.9 USB Configuration

Aptio Setup - AMI		
Advanced		
USB Configuration		[Enabled]: Enables the Legacy USB support.
USB Controllers:		[Auto]: Automatically disables the Legacy USB support if USB devices are not connected.
2 XHCIs		[Disabled]: USB devices are available only for EFI applications.
USB Devices:		
3 Drives, 2 Keyboards, 1 Mouse, 3 Hubs		
Legacy USB Support	[Enabled]	
XHCI Hand-off	[Enabled]	
USB Mass Storage Driver Support	[Enabled]	

### Legacy USB Support [Enabled]

- [Disabled] USB devices are available only for EFI applications.
- [Enabled] Enables the support for USB devices on legacy operating systems (OS).
- [Auto] Automatically disables the Legacy USB support if USB devices are not connected.

### XHCI Hand-off [Enabled]

Allows you to enable or disable workaround for OSES without XHCI hand-off support. The XHCI ownership change should be claimed by XHCI driver.  
Configuration options: [Enabled] [Disabled]

### USB Mass Storage Driver Support [Enabled]

Configuration options: [Disabled] [Enabled]

## 4.4.10 Network Stack Configuration

Aptio Setup - AMI		
Advanced		
Network Stack	[Enabled]	Enable/Disable UEFI Network Stack
IPv4 PXE Support	[Enabled]	
IPv4 HTTP Support	[Enabled]	
IPv6 PXE Support	[Disabled]	
IPv6 HTTP Support	[Disabled]	
PXE boot wait time	0	
Media detect count	1	

### Network stack [Enabled]

Enables or disables the network stack feature.  
Configuration options: [Disabled] [Enabled]



The following item appears only when **Network stack** is set to **[Enabled]**.

### Ipv4 PXE Support [Disabled]

Enables or disables the Ipv4 PXE Boot Support. If disabled, Ipv4 PXE boot option will not be created.  
Configuration options: [Disabled] [Enabled]

### **Ipv4 HTTP Support [Disabled]**

Enables or disables the Ipv4 HTTP Boot Support. If disabled, Ipv4 HTTP boot option will not be created.

Configuration options: [Disabled] [Enabled]

### **Ipv6 PXE Support [Disabled]**

Enables or disables the Ipv6 PXE Boot Support. If disabled, Ipv6 PXE boot option will not be created.

Configuration options: [Disabled] [Enabled]

### **Ipv6 HTTP Support [Disabled]**

Enables or disables the Ipv6 HTTP Boot Support. If disabled, Ipv6 HTTP boot option will not be created.

Configuration options: [Disabled] [Enabled]

### **PXE boot wait time [0]**

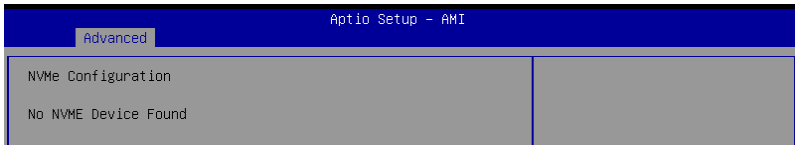
Set the wait time to press ESC key to abort the PXE boot. Use the <+> or <-> to adjust the value. The values range from 0 to 5.

### **Media detect count [1]**

Set the number of times presence of media will be checked. Use the <+> or <-> to adjust the value. The values range from 1 to 50.

## **4.4.11 NVMe Configuration**

This page will display the NVMe controller and drive information. You may press <Enter> on a connected NVMe device which appears in this menu to view more information on the NVMe device.



### **Device**



The devices and names shown in the NVMe configuration list depends on the connected devices. If no devices are connected, **No NVMe Device Found** will be displayed.

### **Self Test Option [Short]**

This option allows you to select either Short or Extended Self Test. Short option will take couple of minutes, and the extended option will take several minutes to complete.  
Configuration options: [Short] [Extended]

### **Self Test Action [Controller Only Test]**

This item allows you to select either to test Controller alone or Controller and NameSpace. Selecting Controller and NameSpace option will take a lot longer to complete the test.

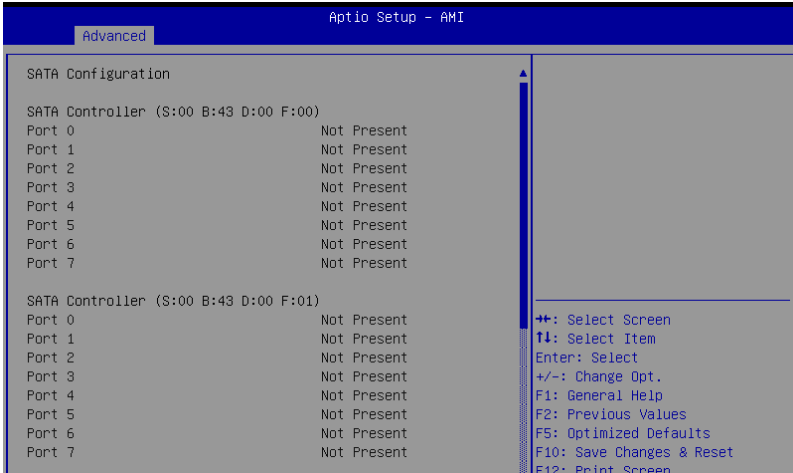
Configuration options: [Controller Only Test] [Controller and NameSpace Test]

### Run Device Self Test

Press <Enter> to perform device self test for the corresponding Option and Action selected by the user. Pressing the <ESC> key will abort the test. The results shown below is the most recent result logged in the device.

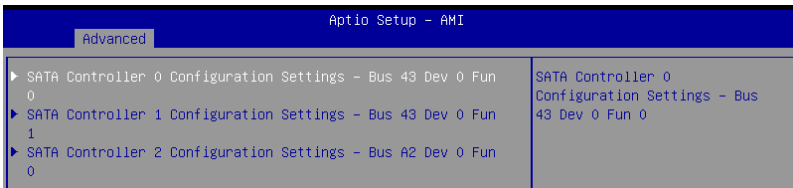
## 4.4.12 SATA Configuration

This page will display the SATA controller and drive information.



## 4.4.13 Offboard SATA Controller Configuration

Allows you to configure the Offboard SATA Controller.



## 4.4.14 APM Configuration

Allows you to configure the Advance Power Management (APM) settings.

Aptio Setup - AMI		
Advanced		
Restore AC Power Loss	[Last State]	Select AC power state when power is re-applied after a power failure.
Power On By PCI-E	[Disabled]	
Power On By RTC	[Disabled]	

### Restore AC Power Loss [Last State]

When set to [Power Off], the system goes into off state after an AC power loss. When set to [Power On], the system will reboot after an AC power loss. When set to [Last State], the system goes into either off or on state, whatever the system state was before the AC power loss.

Configuration options: [Power On] [Power Off] [Last State]

### Power On By PCI-E [Disabled]

Allows you to enable or disable the wake-on-LAN function of the onboard LAN controller or other installed PCI-E LAN cards.

Configuration options: [Disabled] [Enabled]

### Power On By RTC [Disabled]

[Disabled] Disables RTC to generate a wake event.

[Enabled] When set to [Enabled], the items **RTC Alarm Date (Days)** and **Hour/Minute/Second** will become user-configurable with set values.

## 4.4.15 AMD Mem Configuration Status

The items in this menu display the memory configuration (initialized by ABL) status.

Aptio Setup - AMI		
Advanced		
▶ Socket 0		Socket-specific memory configuration status
Mbist Test Enable	Disabled, 0xD000	
Mbist Aggressor Enable	Disabled, 0xD000	
Mbist Per Bit Slave Die Report	0x00FF, 0xD000	
Dram Temp Controlled Refresh	Disabled, 0xD001	
Enable		
User Timing Mode	Disabled, 0x0000	
User Timing Value	Disabled, 0x0000	
Mem Bus Freq Limit	Disabled, 0x0000	
Enable Power Down	Disabled, 0xD000	
Dram Double Refresh Rate	Disabled, 0x0000	
Pmu Train Mode	0x0000, 0xD000	
Ecc Symbol Size	0x0000, 0xD000	
Uncorrectable Ecc Retry	Disabled, 0xD004	
Ignore Spd Checksum	Disabled, 0xD000	
Enable Bank Group Swap Alt	Disabled, 0x0000	
Enable Bank Group Swap	Disabled, 0xD000	
Ddr Route Balanced Tee	Disabled, 0xD004	
Nvdim Power Source	0x0000, 0xD004	
Odds Cmd Throt Enable	Disabled, 0xD004	
Odds Cmd Throt Cycle	Disabled, 0xD004	
		⚡: Select Screen ⚡: Select Item Enter: Select +/-: Change Opt. F1: General Help F2: Previous Values F5: Optimized Defaults F10: Save Changes & Reset F12: Print Screen

### Socket 0

Allows you to view and configure Socket-specific memory configuration status options.

## 4.4.16 T1s Auth

Allows you to configure the Server Certificate Authority (CA).



### Server CA Configuration / Client Cert Configuration

#### Enroll Cert

Allows you to enroll a certificate using a certificate file or manually input a certificate GUID.

#### Enroll Cert Using File

Allows you to enroll a certificate using a certificate file. You will be prompted to select a storage device and navigate to the location of the certificate file.

#### Cert GUID

Allows you to enroll a certificate by manually inputting the certificate GUID.

#### Commit Changes and Exit

Exit Server CA configuration after saving the changes.

#### Discard Changes and Exit

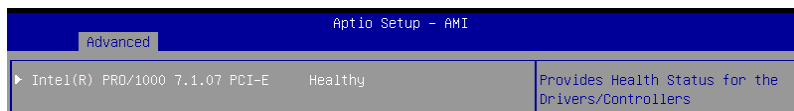
Exit Server CA configuration without saving any changes.

#### Delete Cert

Allows you to delete the certificate.

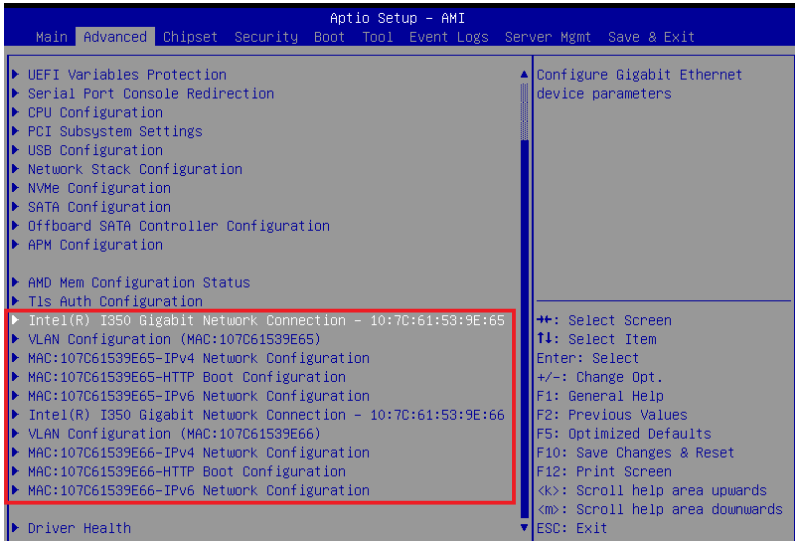
## 4.4.17 Driver Health

Provides Health Status for the Drivers/Controllers.



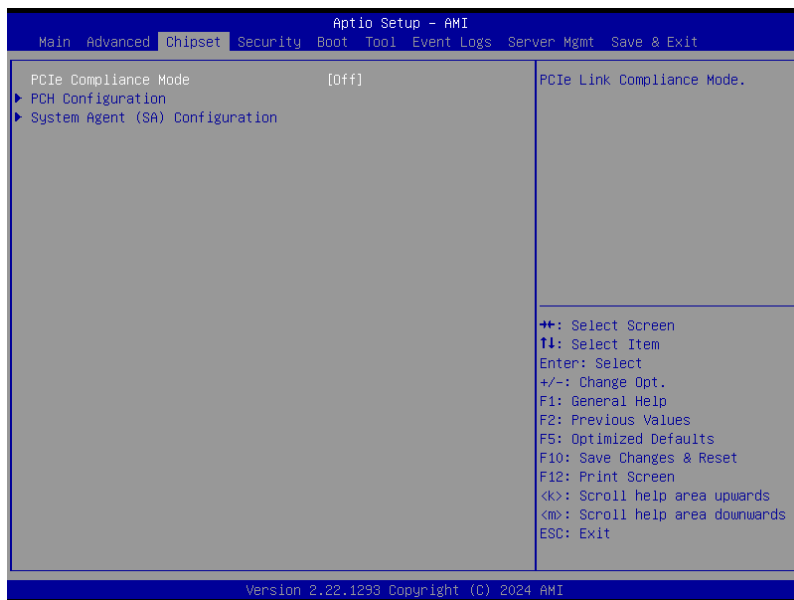
## 4.4.18 Third-party UEFI driver configurations

Additional configuration options for third-party UEFI drivers installed to the system will appear in the bottom of the Advanced menu, in the section marked red in the screenshot below.



## 4.5 Chipset menu

The Chipset menu items allow you to change the Chipset settings.



### PCIe Compliance Mode [Off]

Configuration options: [Off] [On]

### PCH Configuration

#### SB Debug Configuration

This item displays options for SB Debug Features.

### System Agent (SA) Configuration

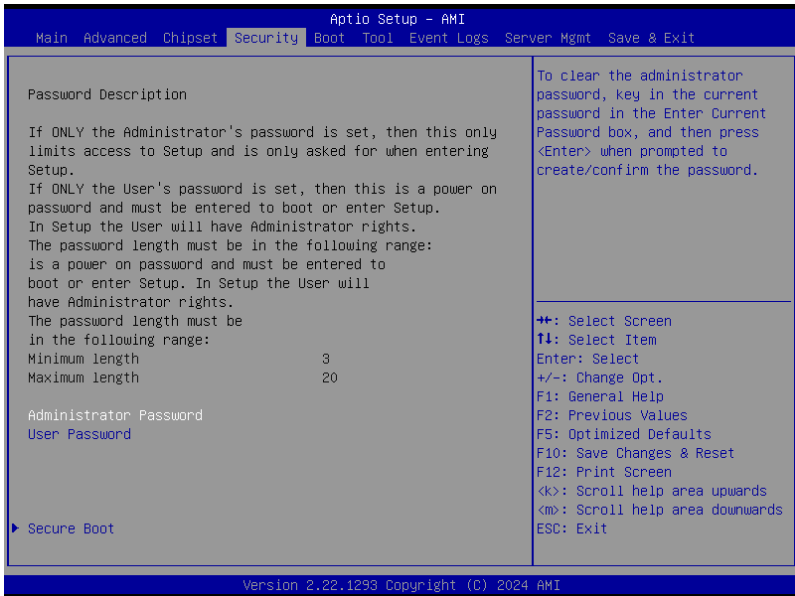
#### Socket 1 Information

This item displays the memory information on Socket 1.



## 4.6 Security menu

This menu allows a new password to be created or a current password to be changed. The menu also enables or disables the Secure Boot state and lets the user configure the System Mode state.



### Administrator Password

To set an administrator password:

1. Select the Administrator Password item and press <Enter>.
2. From the Create New Password box, key in a password, then press <Enter>.
3. Confirm the password when prompted.

To change an administrator password:

1. Select the Administrator Password item and press <Enter>.
2. From the Enter Current Password box, key in the current password, then press <Enter>.
3. From the Create New Password box, key in a new password, then press <Enter>.
4. Confirm the password when prompted.



To clear the administrator password, follow the same steps as in changing an administrator password, but press <Enter> when prompted to confirm the password.

## User Password

To set a user password:

1. Select the User Password item and press <Enter>.
2. From the Create New Password box, key in a password, then press <Enter>.
3. Confirm the password when prompted.

To change a user password:

1. Select the User Password item and press <Enter>.
2. From the Enter Current Password box, key in the current password, then press <Enter>.
3. From the Create New Password box, key in a new password, then press <Enter>.
4. Confirm the password when prompted.



To clear the user password, follow the same steps as in changing a user password, but press <Enter> when prompted to confirm the password.

## Secure Boot

This item allows you to customize the Secure Boot settings.

Aptio Setup - AMI		
Security		
System Mode	User	Secure Boot feature is Active if Secure Boot is Enabled, Platform Key(PK) is enrolled and the System is in User mode. The mode change requires platform reset
Secure Boot	[Disabled] Not Active	
Secure Boot Mode	[Custom]	
▶ Restore Factory Keys		
▶ Reset To Setup Mode		

### Secure Boot [Disabled]

Secure Boot feature is Active if Secure Boot is Enabled, Platform Key (PK) is enrolled, and the System is in User mode. A mode change requires a platform reset.

Configuration options: [Disabled] [Enabled]

### Secure Boot Mode [Custom]

Allows you to set the Secure Boot selector. In Custom mode, Secure Boot Policy variables can be configured physically by the present user without full authentication.

Configuration options: [Custom] [Standard]



The following items are only available when **Secure Boot Mode** is set to **[Custom]**.

### Restore Factory Keys

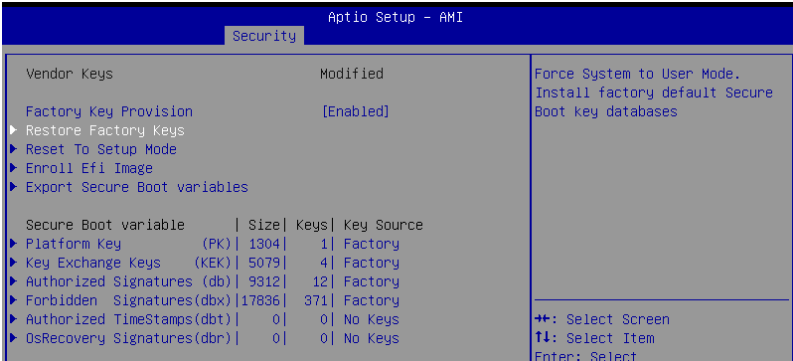
Force System to User Mode. Install factory default Secure Boot Keys databases.

## Reset to Setup Mode

Delete all Secure Boot key databases from NVRAM.

## Expert Key Management

The Key Management item allows you to modify Secure Boot variables and set Key Management page.



### Factory Key Provision [Enabled]

Allows you to provision factory default Secure Boot keys after the platform resets and while the system is in Setup Mode.

Configuration options: [Disabled] [Enabled]

### Restore Factory Keys

Force System to User Mode. Install factory default Secure Boot Keys databases.

### Reset to Setup Mode

Delete all Secure Boot key databases from NVRAM.

### Enroll Efi Image

This item will allow the image to run in Secure Boot mode. Enroll SHA256 Hash certificate of a PE image into Authorized Signature Database (db).

### Export Secure Boot variables

Save NVRAM content of Secure Boot variable to a file.

### Platform Key (PK)

Configuration options: [Details] [Export] [Update] [Delete]

### Key Exchange Keys (KEK) / Authorized Signatures (db) / Forbidden Signatures (dbx)

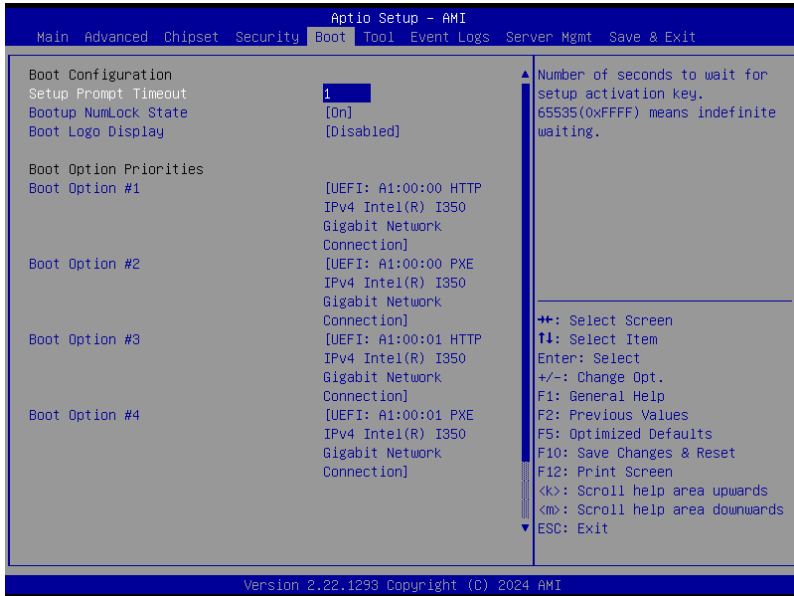
Configuration options: [Details] [Export] [Update] [Append] [Delete]

### Authorized TimeStamps (dbt) / OsRecovery Signatures (dbr)

Configuration options: [Update] [Append]

## 4.7 Boot menu

The Boot menu items allow you to change the system boot options.



### Setup Prompt Timeout [1]

Allows you to set the number of seconds that the firmware waits before initiating the original default boot selection. 65535(0xFFFF) means indefinite waiting. Use the <+> or <-> to adjust the value.

### Bootup NumLock State [On]

Configuration options: [Off] [On]

### Boot Logo Display [Disabled]

[Disabled] Hide the logo during POST.

[Enabled] Display the boot logo during POST.

### Boot Option Priorities

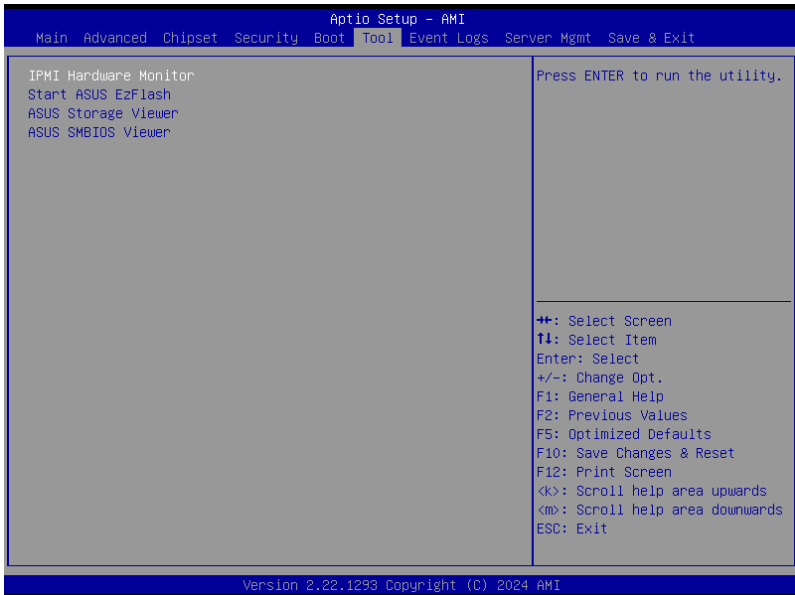
These items specify the boot device priority sequence from the available devices. The number of device items that appears on the screen depends on the number of devices installed in the system.



- To select the boot device during system startup, press <F8> when ASUS Logo appears.
- To access Windows OS in Safe Mode, please press <F8> after POST.

## 4.8 Tool menu

The Tool menu items allow you to configure options for special functions. Select an item then press <Enter> to display the submenu.



### IPMI Hardware Monitor

Allows you to run the IPMI hardware monitor.

### Start ASUS EzFlash

Allows you to run ASUS EzFlash BIOS ROM Utility when you press <Enter>. Refer to the **ASUS EzFlash Utility** section for details.

### ASUS Storage Viewer

Allows you to run ASUS Storage Viewer.

### ASUS SMBIOS Viewer

Allows you to run ASUS SMBIOS Viewer.

# 4.9 Event Logs menu

The Event Logs menu items allow you to change the event log settings and view the system event logs.



## 4.9.1 Change Smbios Event Log Settings

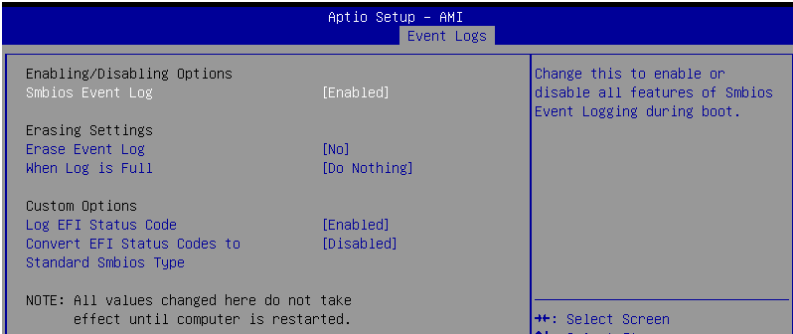
Press <Enter> to change the Smbios Event Log configuration.



---

All values changed here do not take effect until computer is restarted.

---



### Enabling/Disabling Options

#### Smbios Event Log [Enabled]

Change this to enable or disable all features of Smbios Event Logging during boot.  
Configuration options: [Disabled] [Enabled]



---

The following item appears only when **Smbios Event Log** is set to **[Enabled]**.

---

### Erasing Settings

#### Erase Event Log [No]

Choose options for erasing Smbios Event Log. Erasing is done prior to any logging activation during reset.

Configuration options: [No] [Yes, Next reset] [Yes, Every reset]

#### When Log is Full [Do Nothing]

Choose options for reactions to a full Smbios Event Log.

Configuration options: [Do Nothing] [Erase Immediately]

### Custom Options

#### Log EFI Status Code [Enabled]

Configuration options: [Disabled] [Enabled]



---

The following item appears only when **Log EFI Status Code** is set to **[Enabled]**.

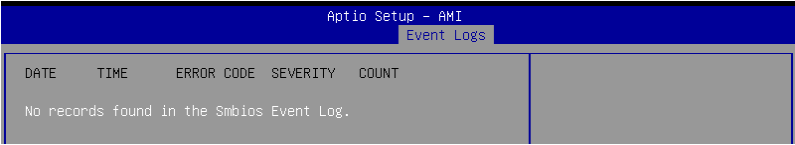
---

#### Convert EFI Status Codes to Standard Smbios Type [Disabled]

Configuration options: [Disabled] [Enabled]

## 4.9.2 View Smbios Event Log

Press <Enter> to view all smbios event logs.

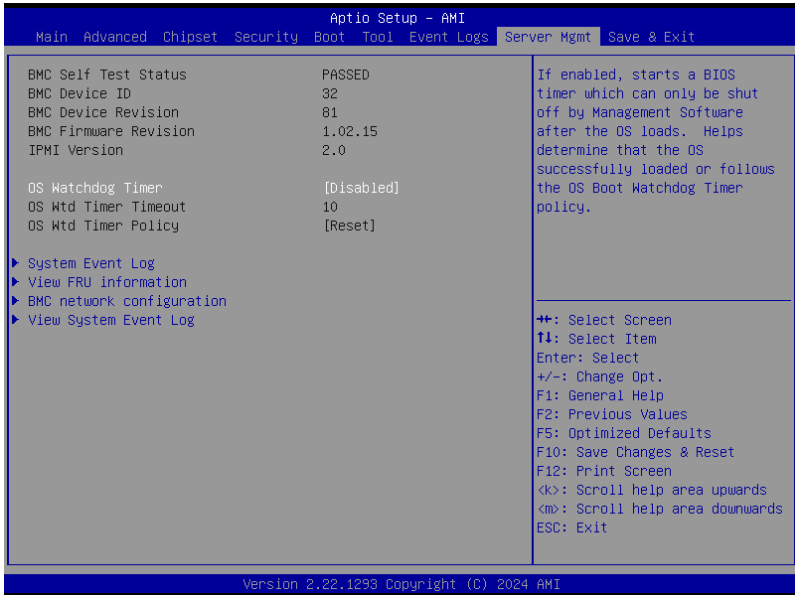


DATE	TIME	ERROR CODE	SEVERITY	COUNT
No records found in the Smbios Event Log.				



## 4.10 Server Mgmt menu

The Server Management menu displays the server management status and allows you to change the settings.



### OS Watchdog Timer [Disabled]

Allows you to start a BIOS timer which can only be shut off by Management Software after the OS loads. Helps determine if the OS successfully loaded or follows the OS Boot Watchdog Timer policy.

Configuration options: [Disabled] [Enabled]



The following items appear only when the **OS Watchdog Timer** is set to **[Enabled]**.

#### OS Wtd Timer Timeout [10]

Allows you to enter a value between 1 to 30 minutes for OS Boot Watchdog Timer Expiration.

Configuration options: [1] - [30]

#### OS Wtd Timer Policy [Reset]

This item allows you to configure the how the system should respond if the OS Boot Watch Timer expires.

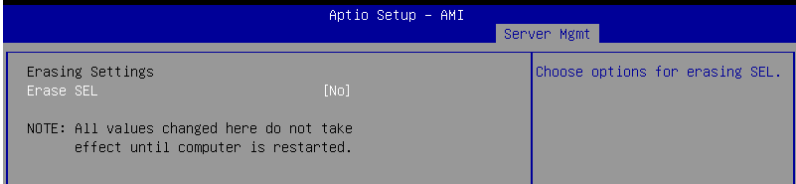
Configuration options: [Do Nothing] [Reset] [Power Down]

## 4.10.1 System Event Log

Allows you to change the SEL event log configuration.



All values changed here do not take effect until computer is restarted.



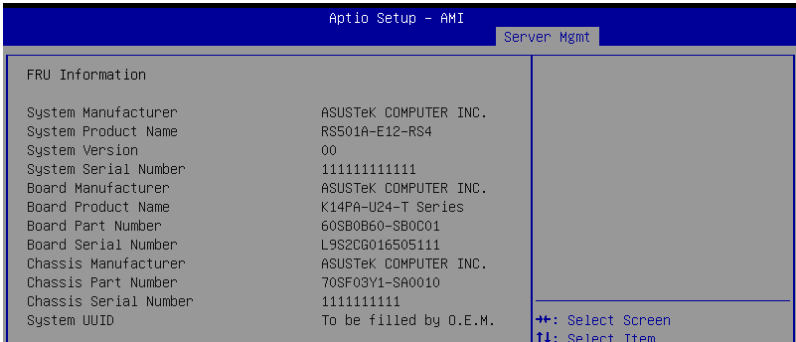
### Erase SEL [No]

Allows you to choose options for erasing SEL.

Configuration options: [No] [Yes, On next reset] [Yes, On every reset]

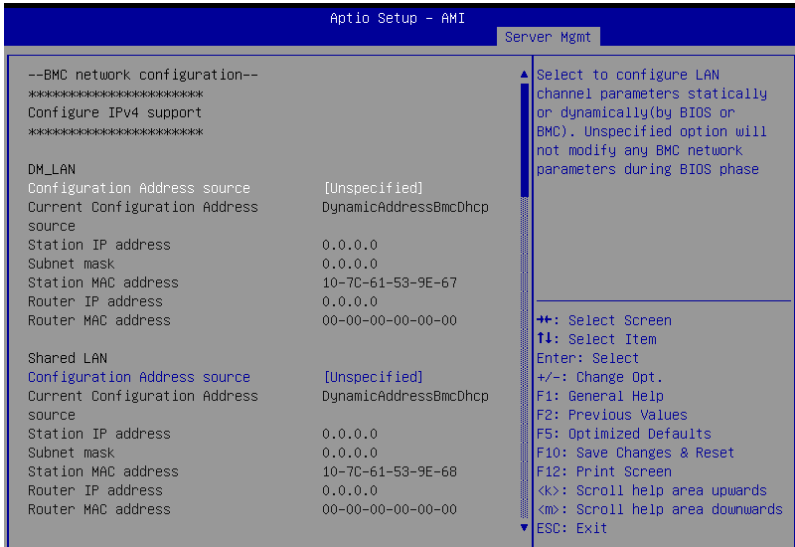
## 4.10.2 View FRU information

Allows you to view the FRU information.



## 4.10.2 BMC network configuration

The sub-items in this configuration allow you to configure the BMC network parameters.



### Configure IPV4 support

### DM\_LAN/Shared LAN

### Configuration Address source [Unspecified]

This item allows you to configure LAN channel parameters statistically or dynamically (by BIOS or BMC). [Unspecified] option will not modify any BMC network parameters during BIOS phase.

Configuration options: [Unspecified] [Static] [DynamicBmcDhcp]



The following items are available only when **Configuration Address source** is set to **[Static]**.

### Station IP address

Allows you to set the station IP address.

### Subnet mask

Allows you to set the subnet mask. We recommend that you use the same Subnet Mask you have specified on the operating system network for the used network card.

### Router IP Address

Allows you to set the router IP address.

### Router MAC Address

Allows you to set the router MAC address.

## Configure IPv6 support

### DM\_LAN/Shared LAN

#### IPv6 support [Enabled]

Allows you to enable or disable IPv6 support.

Configuration options: [Enabled] [Disabled]



---

The following items appear only when **IPv6 support** is set to **[Enabled]**.

---

#### **Configuration Address source [Unspecified]**

Allows you to set the LAN channel parameters statically or dynamically (by BIOS or by BMC). **[Unspecified]** option will not modify any BMC network parameters during BIOS phase.

Configuration options: [Unspecified] [Static] [DynamicBmcDhcp]



---

The following items are available only when **Configuration Address source** is set to **[Static]**.

---

#### **Station IPv6 address**

Allows you to set the station IPv6 address.

#### **Prefix Length**

Allows you to set the prefix length (maximum of Prefix Length is 128).

#### **Configuration Router Lan1-2 Address source [Unspecified]**

Allows you to set the LAN channel parameters statically or dynamically (by BIOS or by BMC). **[Unspecified]** option will not modify any BMC network parameters during BIOS phase.

Configuration options: [Previous State] [Static] [DynamicBmcDhcp]



---

The following items are available only when **Configuration Router Lan1-2 Address source** is set to **[Static]**.

---

#### **IPv6 Router1 IP address**

Allows you to set the IPv6 Router1 IP address.

#### **IPv6 Router1 Prefix Length Lan1-2**

Allows you to set the IPv6 Router1 prefix length (maximum of Prefix Length is 128).

#### **IPv6 Router1 Prefix Value Lan1-2**

Allows you to set the IPv6 Router1 prefix value.

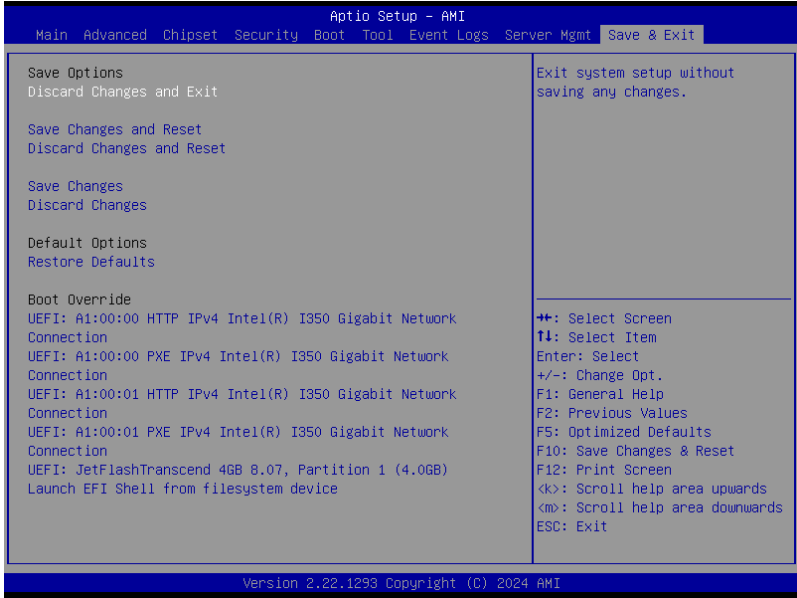
### 4.10.3 View System Event Log

This item allows you to view the system event log records.

Aptio Setup - AMI			Server Mgmt
No. of log entries in SEL : 17			HEX:
DATE	TIME	SENSOR TYPE	01 00 02 1D D3 1E
			66 21 00 04 0C 00
			6F A4 51 00
04/16/24	19:35:57	Memory	Generator ID: SMI Handler
04/16/24	19:47:26	Memory	(Channel #0)
04/16/24	19:48:07	Version Change	Sensor Number: 0x00
12/31/79	19:00:51	Power Unit	Unspecified
12/31/79	19:01:28	Physical Security	Event Description: Record
01/01/11	23:36:21	Power Unit	Type-0x02. Assertion Event.
01/01/11	23:41:13	Version Change	
01/01/11	23:41:13	Version Change	
01/01/11	23:42:00	Power Unit	
01/08/11	16:02:46	Power Unit	<b>++</b> : Select Screen
01/08/11	23:41:26	Power Unit	<b>↑↓</b> : Select Item
01/12/11	21:02:34	Power Unit	Enter: Select
07/09/24	15:05:11	Version Change	+/-: Change Opt.
07/09/24	18:54:04	Power Unit	F1: General Help
07/09/24	18:58:59	Power Unit	F2: Previous Values
07/10/24	13:57:56	Power Unit	F5: Optimized Defaults
			F10: Save Changes & Reset
			F12: Print Screen

# 4.11 Save & Exit menu

The Save & Exit menu items allow you to save or discard your changes to the BIOS items.



Pressing <Esc> does not immediately exit this menu. Select one of the options from this menu or <F10> from the legend bar to exit.

## Save Options

### Discard Changes and Exit

Exit system setup without saving any changes.

### Save Changes and Reset

Reset system after saving the changes.

### Discard Changes and Reset

Reset system setup without saving any changes.

### Save Changes

Save changes done so far to any of the setup options.

### Discard Changes

Discard changes done so far to any of the setup options.

## **Default Options**

### **Restore Defaults**

Restore/Load Default values for all the setup options.

### **Boot Override**

These items displays the available devices. The device items that appears on the screen depends on the number of devices installed in the system. Click an item to start booting from the selected device.

### **Launch EFI Shell from filesystem device**

Attempt to Launch EFI Shell application (Shell.efi) from one of the available filesystem devices.

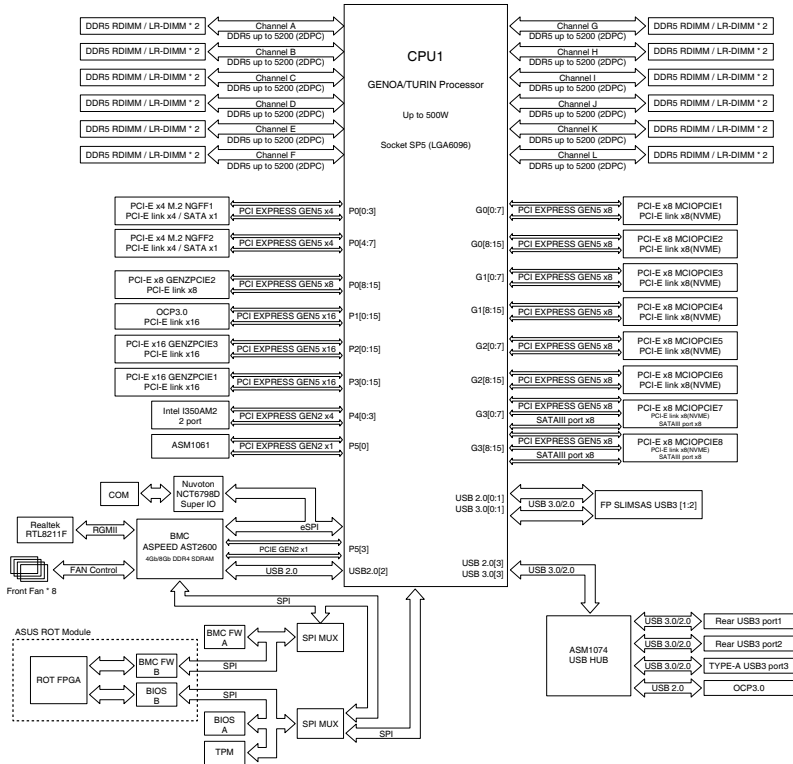




# Appendix

This appendix includes additional information that you may refer to when configuring the motherboard.

# K14PA-U24-T block diagram



## Notices

### Federal Communications Commission Statement

This device complies with Part 15 of the FCC Rules. Operation is subject to the following two conditions:

- This device may not cause harmful interference.
- This device must accept any interference received including interference that may cause undesired operation.

This equipment has been tested and found to comply with the limits for a Class A digital device, pursuant to part 15 of the FCC Rules. These limits are designed to provide reasonable protection against harmful interference when the equipment is operated in a commercial environment. This equipment generates, uses, and can radiate radio frequency energy and, if not installed and used in accordance with the instruction manual, may cause harmful interference to radio communications. Operation of this equipment in a residential area is likely to cause harmful interference in which case the user will be required to correct the interference at his own expense.



---

The use of shielded cables for connection of the monitor to the graphics card is required to assure compliance with FCC regulations. Changes or modifications to this unit not expressly approved by the party responsible for compliance could void the user's authority to operate this equipment.

---

### Compliance Statement of Innovation, Science and Economic Development Canada (ISED)

This device complies with Innovation, Science and Economic Development Canada licence exempt RSS standard(s). Operation is subject to the following two conditions: (1) this device may not cause interference, and (2) this device must accept any interference, including interference that may cause undesired operation of the device.

CAN ICES-003(A)/NMB-003(A)

### Déclaration de conformité de Innovation, Sciences et Développement économique Canada (ISED)

Le présent appareil est conforme aux CNR d'Innovation, Sciences et Développement économique Canada applicables aux appareils radio exempts de licence. L'exploitation est autorisée aux deux conditions suivantes : (1) l'appareil ne doit pas produire de brouillage, et (2) l'utilisateur de l'appareil doit accepter tout brouillage radioélectrique subi, même si le brouillage est susceptible d'en compromettre le fonctionnement.

CAN ICES-003(A)/NMB-003(A)

### Japan JATE

本製品は電気通信事業者（移動通信会社、固定通信会社、インターネットプロバイダ等）の通信回線（公衆無線LANを含む）に直接接続することができません。本製品をインターネットに接続する場合は、必ずルータ等を経由し接続してください。

## Japan statement notice

This product cannot be directly connected to the Internet (including public wireless LAN) of a telecom carrier (mobile network companies, landline network companies, Internet providers, etc.). When connecting this product to the Internet, be sure to connect it through a router or switch.

## Australia statement notice

From 1 January 2012 updated warranties apply to all ASUS products, consistent with the Australian Consumer Law. For the latest product warranty details please visit <https://www.asus.com/support/>. Our goods come with guarantees that cannot be excluded under the Australian Consumer Law. You are entitled to a replacement or refund for a major failure and compensation for any other reasonably foreseeable loss or damage. You are also entitled to have the goods repaired or replaced if the goods fail to be of acceptable quality and the failure does not amount to a major failure.

If you require assistance please call ASUS Customer Service 1300 2787 88 or visit us at <https://www.asus.com/support/>.



---

DO NOT throw the motherboard in municipal waste. This product has been designed to enable proper reuse of parts and recycling. This symbol of the crossed out wheeled bin indicates that the product (electrical and electronic equipment) should not be placed in municipal waste. Check local regulations for disposal of electronic products.

---



---

DO NOT throw the mercury-containing button cell battery in municipal waste. This symbol of the crossed out wheeled bin indicates that the battery should not be placed in municipal waste.

---

## Declaration of compliance for product environmental regulation

ASUS follows the green design concept to design and manufacture our products, and makes sure that each stage of the product life cycle of ASUS product is in line with global environmental regulations. In addition, ASUS disclose the relevant information based on regulation requirements.

Please refer to <https://esg.asus.com/Compliance.htm> for information disclosure based on regulation requirements ASUS is complied with:

### EU REACH and Article 33

Complying with the REACH (Registration, Evaluation, Authorization, and Restriction of Chemicals) regulatory framework, we publish the chemical substances in our products at ASUS REACH website at <https://esg.asus.com/Compliance.htm>.

### EU RoHS

This product complies with the EU RoHS Directive. For more details, see <https://esg.asus.com/Compliance.htm>

### Japan JIS-C-0950 Material Declarations

Information on Japan RoHS (JIS-C-0950) chemical disclosures is available on <https://esg.asus.com/Compliance.htm>

## India RoHS

This product complies with the "India E-Waste (Management) Rules, 2016" and prohibits use of lead, mercury, hexavalent chromium, polybrominated biphenyls (PBBs) and polybrominated diphenyl ethers (PBDEs) in concentrations exceeding 0.1% by weight in homogenous materials and 0.01% by weight in homogenous materials for cadmium, except for the exemptions listed in Schedule II of the Rule.

## Vietnam RoHS

ASUS products sold in Vietnam, on or after September 23, 2011, meet the requirements of the Vietnam Circular 30/2011/TT-BCT.

Các sản phẩm ASUS bán tại Việt Nam, vào ngày 23 tháng 9 năm 2011 trở về sau, đều phải đáp ứng các yêu cầu của Thông tư 30/2011/TT-BCT của Việt Nam.

## Türkiye RoHS

AEEE Yönetmeliğine Uygundur

## ASUS Recycling/Takeback Services

ASUS recycling and takeback programs come from our commitment to the highest standards for protecting our environment. We believe in providing solutions for you to be able to responsibly recycle our products, batteries, other components as well as the packaging materials. Please go to <https://esg.asus.com/en/Takeback.htm> for detailed recycling information in different regions.

## Ecodesign Directive

The European Union announced a framework for the setting of ecodesign requirements for energy-related products (2009/125/EC). Specific implementing measures are aimed at improving environmental performance of specific products or across multiple product types. ASUS provides product information at <https://esg.asus.com/Compliance.htm>.

## ENERGY STAR® Qualified Product



ENERGY STAR® is a joint program of the U.S. Environmental Protection Agency and the U.S. Department of Energy helping us all save money and protect the environment through energy efficient products and practices.

All ASUS products with the ENERGY STAR® logo comply with the ENERGY STAR® standard, and the power management feature is enabled by default. The monitor is automatically set to sleep within 10 minutes of user inactivity; the computer is automatically set to sleep within 30 minutes of user inactivity. To wake your computer, click the mouse, press any key on the keyboard, or press the power button.

Please visit <https://www.energystar.gov> for detailed information on the ENERGY STAR® joint program, power management, and the benefits to the environment.



---

ENERGY STAR® is NOT supported on FreeDOS and Linux-based products without power management.

---

# FCC COMPLIANCE INFORMATION

Per FCC Part 2 Section 2.1077



**Responsible Party:** Asus Computer International  
**Address:** 48720 Kato Rd, Fremont, CA 94538.  
**Phone/Fax No:** (510)739-3777/(510)608-4555

**hereby declares that the product**

**Product Name :** Server  
**Model Number :** RS521A-E12-RS12U  
RS521A-E12-RS24U

**compliance statement:**

This device complies with part 15 of the FCC Rules. Operation is subject to the following two conditions: (1) This device may not cause harmful interference, and (2) this device must accept any interference received, including interference that may cause undesired operation.

Ver. 180620

## UK: The Radio Equipment Regulations 2017 (S.I. 2017/1206)

ASUSTeK Computer Inc. hereby declares that this device is in compliance with the essential requirements and other relevant provisions of related Regulations. Full text of UKCA declaration of conformity is available at: [www.asus.com/support](http://www.asus.com/support)

## EU: Radio Equipment Directive (Directive 2014/53/EU)

**English** ASUSTeK Computer Inc. hereby declares that this device is in compliance with the essential requirements and other relevant provisions of related Directives. Full text of EU declaration of conformity is available at: [www.asus.com/support](http://www.asus.com/support)

**Français** AsusTek Computer Inc. déclare par la présente que cet appareil est conforme aux critères essentiels et autres clauses pertinentes des directives concernées. La déclaration de conformité de l'UE peut être téléchargée à partir du site Internet suivant : [www.asus.com/support](http://www.asus.com/support)

**Deutsch** ASUSTeK Computer Inc. erklärt hiermit, dass dieses Gerät mit den wesentlichen Anforderungen und anderen relevanten Bestimmungen der zugehörigen Richtlinien übereinstimmt. Der gesamte Text der EU-Konformitätserklärung ist verfügbar unter: [www.asus.com/support](http://www.asus.com/support)

**Italiano** ASUSTeK Computer Inc. con la presente dichiara che questo dispositivo è conforme ai requisiti essenziali e alle altre disposizioni pertinenti con le direttive correlate. Il testo completo della dichiarazione di conformità UE è disponibile all'indirizzo: [www.asus.com/support](http://www.asus.com/support)

**Русский** Компания ASUS заявляет, что это устройство соответствует основным требованиям и другим соответствующим условиям соответствующих директив. Подробную информацию, пожалуйста, смотрите на [www.asus.com/support](http://www.asus.com/support)

**Български** С настоящото ASUSTeK Computer Inc. декларира, че това устройство е в съответствие със съществените изисквания и другите приложими постановления на свързаните директиви. Пълният текст на декларацията за съответствие на ЕС е достъпна на адрес: [www.asus.com/support](http://www.asus.com/support)

**Hrvatski** ASUSTeK Computer Inc. ovim izjavljuje da je ovaj uređaj sukladan s bitnim zahtjevima i ostalim odgovarajućim odredbama vezanih direktiva. Cijeli tekst EU izjave o sukladnosti dostupan je na: [www.asus.com/support](http://www.asus.com/support)

**Čeština** Společnost ASUSTeK Computer Inc. tímto prohlašuje, že toto zařízení splňuje základní požadavky a další příslušná ustanovení souvisejících směrnic. Plné znění prohlášení o shodě EU je k dispozici na adrese: [www.asus.com/support](http://www.asus.com/support)

**Dansk** ASUSTeK Computer Inc. erklærer hermed, at denne enhed er i overensstemmelse med hovedkravene og andre relevante bestemmelser i de relaterede direktiver. Hele EU-overensstemmelseserklæringen kan findes på: [www.asus.com/support](http://www.asus.com/support)

**Nederlands** ASUSTeK Computer Inc. verklaart hierbij dat dit apparaat voldoet aan de essentiële vereisten en andere relevante bepalingen van de verwante richtlijnen. De volledige tekst van de EU-verklaring van conformiteit is beschikbaar op: [www.asus.com/support](http://www.asus.com/support)

**Eesti** Käesolevaga kinnitab ASUSTeK Computer Inc, et see seade vastab asjakohaste direktiivide oluliste nõuetele ja teistele asjassepuutuvatele sätetele. EL vastavusdeklaratsiooni täielik tekst on saadaval järgmisel aadressil: [www.asus.com/support](http://www.asus.com/support)

**Suomi** ASUSTeK Computer Inc. ilmoittaa täten, että tämä laite on asiaankuuluvien direktiivien olennaisten vaatimusten ja muiden tätä koskevien säädösten mukainen. EU-yhdenmukaisuusilmoituksen koko teksti on luettavissa osoitteessa: [www.asus.com/support](http://www.asus.com/support)

**Ελληνικά** Με το παρόν, η AsusTek Computer Inc. δηλώνει ότι αυτή η συσκευή συμμορφώνεται με τις θεμελιώδεις απαιτήσεις και άλλες σχετικές διατάξεις των Οδηγιών της ΕΕ. Το πλήρες κείμενο της δήλωσης συμβατότητας είναι διαθέσιμο στη διεύθυνση: [www.asus.com/support](http://www.asus.com/support)

**Magyar** Az ASUSTeK Computer Inc. ezennel kijelenti, hogy ez az eszköz megfelel a kapcsolódó Irányelvek lényeges követelményeinek és egyéb vonatkozó rendelkezéseinek. Az EU megfeleléségi nyilatkozat teljes szövege innen letölthető: [www.asus.com/support](http://www.asus.com/support)

**Latviski** ASUSTeK Computer Inc. ar šo paziņo, ka šī ierīce atbilst saistīto Direktīvu būtiskajām prasībām un citiem citiem saistošajiem nosacījumiem. Pilns ES atbilstības paziņojuma teksts pieejams šeit: [www.asus.com/support](http://www.asus.com/support)

**Lietuviai** „ASUSTeK Computer Inc.“ šiuo tvirtina, kad šis įrenginys atitinka pagrindinius reikalavimus ir kitas svarbias susijusių direktyvų nuostatas. Visą ES atitikties deklaracijos tekstą galima rasti: [www.asus.com/support](http://www.asus.com/support)

**Norsk** ASUSTeK Computer Inc. erklærer herved at denne enheten er i samsvar med hovedsaklige krav og andre relevante forskrifter i relaterte direktiver. Fullstendig tekst for EU-samsvarserklæringen finnes på: [www.asus.com/support](http://www.asus.com/support)

**Polski** Firma ASUSTeK Computer Inc. niniejszym oświadcza, że urządzenie to jest zgodne z zasadniczymi wymogami i innymi właściwymi postanowieniami powiązanych dyrektyw. Pełny tekst deklaracji zgodności UE jest dostępny pod adresem: [www.asus.com/support](http://www.asus.com/support)

**Português** A ASUSTeK Computer Inc. declara que este dispositivo está em conformidade com os requisitos essenciais e outras disposições relevantes das Diretivas relacionadas. Texto integral da declaração da UE disponível em: [www.asus.com/support](http://www.asus.com/support)

**Română** ASUSTeK Computer Inc. declară că acest dispozitiv se conformează cerințelor esențiale și altor prevederi relevante ale directivelor conexe. Textul complet al declarației de conformitate a Uniunii Europene se găsește la: [www.asus.com/support](http://www.asus.com/support)

**Srpski** ASUSTeK Computer Inc. ovim izjavljuje da je ovaj uređaj u saglasnosti sa osnovnim zahtevima i drugim relevantnim odredbama povezanih Direktiva. Pun tekst EU deklaracije o usaglašenosti je dostupan da adresi: [www.asus.com/support](http://www.asus.com/support)

**Slovensky** Spoločnosť ASUSTeK Computer Inc. týmto vyhlasuje, že toto zariadenie vyhovuje základným požiadavkám a ostatým príslušným ustanoveniam príslušných smerníc. Celý text vyhlásenia o zhode pre štáty EÚ je dostupný na adrese: [www.asus.com/support](http://www.asus.com/support)

**Slovenščina** ASUSTeK Computer Inc. izjavlja, da je ta naprava skladna z bistvenimi zahtevami in drugimi ustreznimi določbami povezanih direktiv. Celotno besedilo EU-izjave o skladnosti je na voljo na spletnem mestu: [www.asus.com/support](http://www.asus.com/support)

**Español** Por la presente, ASUSTeK Computer Inc. declara que este dispositivo cumple los requisitos básicos y otras disposiciones pertinentes de las directivas relacionadas. El texto completo de la declaración de la UE de conformidad está disponible en: [www.asus.com/support](http://www.asus.com/support)

**Svenska** ASUSTeK Computer Inc. förklarar härmed att denna enhet överensstämmer med de grundläggande kraven och andra relevanta föreskrifter i relaterade direktiv. Fulltext av EU-försäkran om överensstämmelse finns på: [www.asus.com/support](http://www.asus.com/support)

**Українська** ASUSTeK Computer Inc. заявляє, що цей пристрій відповідає основним вимогам та іншим відповідним положенням відповідних Директив. Повний текст декларації відповідності стандартам ЄС доступний на: [www.asus.com/support](http://www.asus.com/support)

**Türkçe** AsusTek Computer Inc., bu aygıtın temel gereksinimlerle ve ilişkili Yönergelerin diğer ilgili koşullarıyla uyumlu olduğunu beyan eder. AB uygunluk bildirimimin tam metni şu adreste bulunabilir: [www.asus.com/support](http://www.asus.com/support)

**Bosanski** ASUSTeK Computer Inc. ovim izjavljuje da je ovaj uređaj usklađen sa bitnim zahtjevima i ostalim odgovarajućim odredbama vezanih direktiva. Cijeli tekst EU izjave o usklađenosti dostupan je na: [www.asus.com/support](http://www.asus.com/support)

## Service and Support

Visit our multi-language website at <https://www.asus.com/support>.

